

# EM Table

Jean Prouvé, 1950



The designer and engineer Jean Prouvé developed the EM Table (Entretoise Métallique, metal struts) around 1950 for the project 'Maison Tropicale'. Adhering to the aesthetics of necessity, even the smallest details of this table are determined by its construction. The canted legs are connected by a crossbar, illustrating the structural forces and flow of stresses in a way that is typically seen only in engineering structures.

The EM Table is available with table tops in solid wood, robust HPL laminate or – for tops measuring 2000 or 2400 mm in length – wood veneer.

The solid wood table tops in oak or walnut lend this table a touch of distinction and bring pleasure with their appealing tactile qualities.

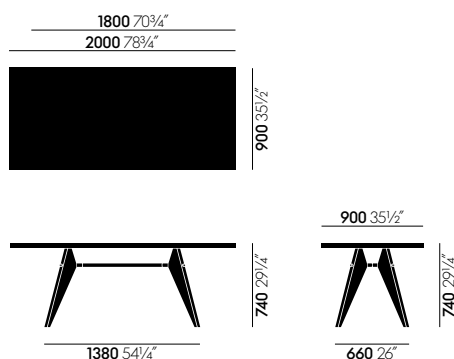
Adhering to structural requirements, the aesthetic of Jean Prouvé's EM Table illustrates the flow of forces and stresses in its construction. In the version with a robust veneer top in light or dark oak, which is available in lengths of 2000 or 2400 mm, the table is suitable for meeting areas, canteens, restaurants and other public or semi-public spaces.

Jean Prouvé's EM Table, whose aesthetic appearance adheres to structural requirements, is available with table tops in solid wood, veneer or HPL laminate.

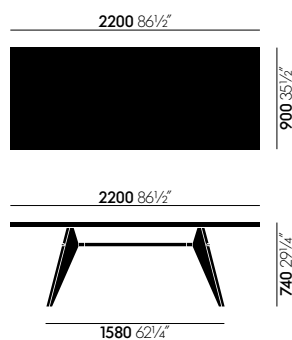
## Materials

- **Table top:** 34 mm thick; solid wood in natural oak with oiled finish, dark stained oak with protective natural lacquer finish, or American walnut with oiled finish.
- **Base:** bent sheet steel and tubular steel, powder-coated.
- **Origin of wood:** oak (*Quercus robur*) from Western Europe and/or Poland; American walnut (*Juglans nigra*) from the USA.
- **Veneer table top:** 34 mm thick; natural or dark stained oak (Europe), protective natural lacquer finish.
- **Base:** bent sheet steel and tubular steel, powder-coated.
- **HPL table top:** 34 mm thick, high pressure laminate surface and edges.
- **Base:** bent sheet steel and tubular steel, powder-coated.

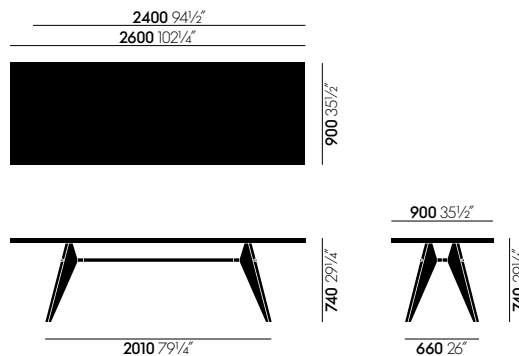
## DIMENSIONS



EM Table 1800-2000



EM Table 2200



EM Table 2400-2600

COLOURS AND MATERIALS



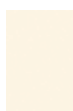
**70**  
natural solid oak,  
oiled



**75**  
solid American  
walnut, oiled



**10**  
natural oak, with  
protective varnish



**49**  
ivory



**04**  
dark stained solid  
oak, with protective  
varnish



**04**  
dark oak, with  
protective varnish



**67**  
asphalt

Table top solid wood

Table top in veneer

Table top in HPL



**88**  
Prouvé Blanc  
Colombe (ecru)  
powder-coated  
(smooth)



**18**  
Prouvé Blé Vert  
powder-coated  
(smooth)



**06**  
Japanese red  
powder-coated  
(smooth)



**41**  
Prouvé Bleu  
Marcoule powder-  
coated (smooth)



**13**  
Prouvé Gris  
Vermeer powder-  
coated (smooth)



**12**  
deep black  
powder-coated  
(smooth)



**14**  
Prouvé Bleu  
Dynastie powder-  
coated (smooth)



**94**  
Prouvé Métal Brut  
powder-coated  
(transparent,  
smooth)

Base frame (Colour group 1)

Base frame (Colour group 2)

