

Thank you for choosing 'Cabinet 600 Slimfit'

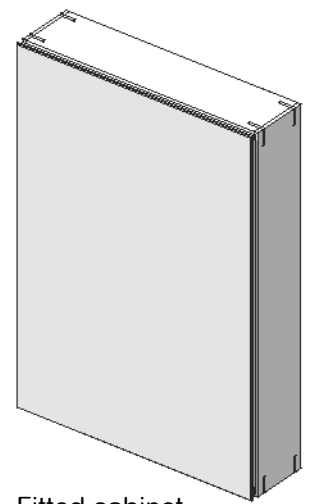
## Instructions.

Please read the instructions and warnings carefully before use to ensure safe and satisfactory operation of this product.

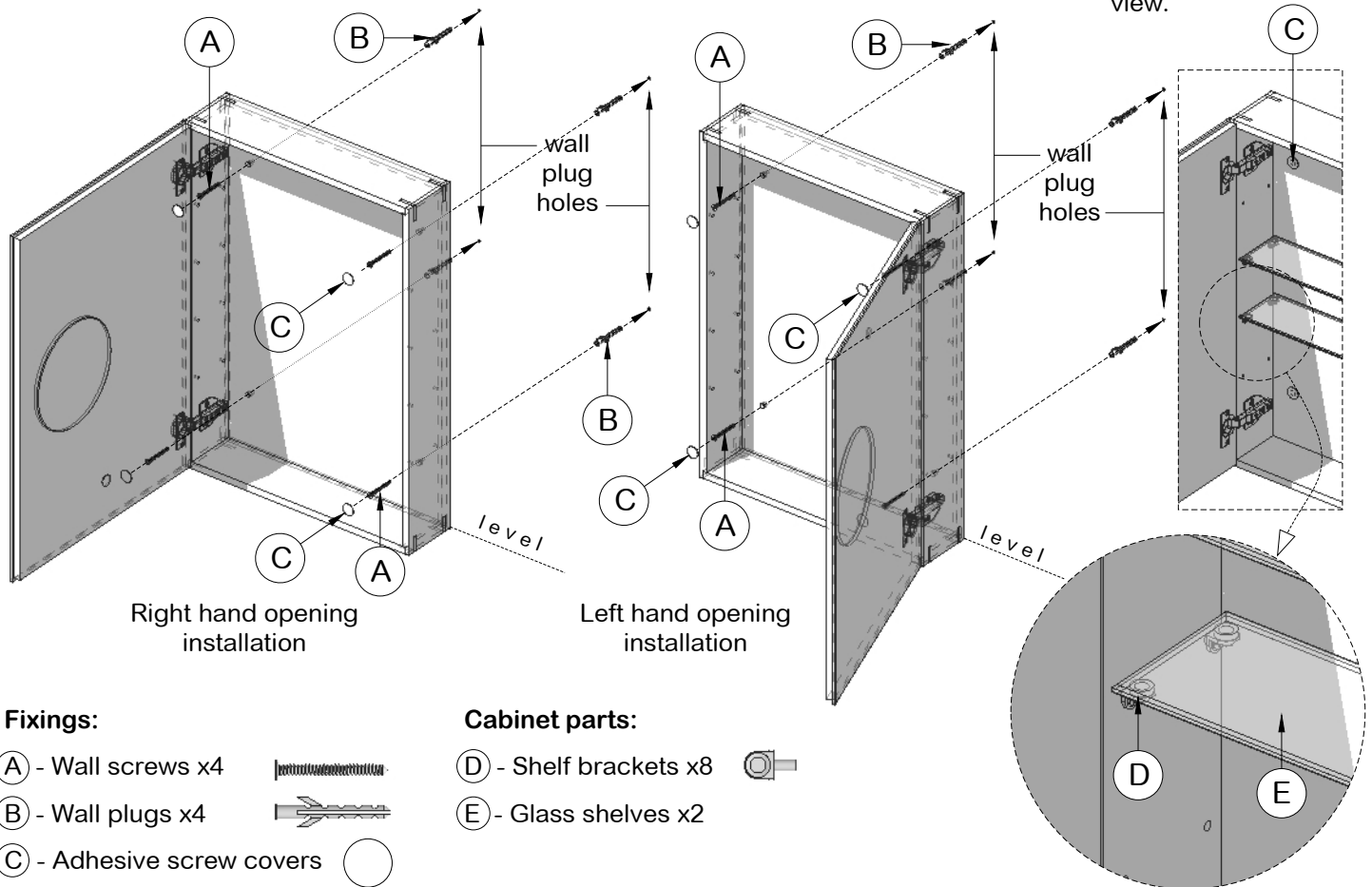
The cabinet is supplied with screws and wall plugs suitable for a stone or brick wall. For other wall types (eg. hollow plasterboard) alternative fixings will be required. If in doubt, consult a qualified professional.

You will need a power drill, a masonry drill bit, a medium cross-head screwdriver, a spirit level, a ruler / tape measure and pencil to install this product.




Ensure the wall surface is flat and of suitable strength and construction before securing the cabinet.




Fitted cabinet view.



### Fixings:

- (A) - Wall screws x4 
- (B) - Wall plugs x4 
- (C) - Adhesive screw covers 

### Cabinet parts:

- (D) - Shelf brackets x8 
- (E) - Glass shelves x2

### Fitting instructions:

Position cabinet against wall using spirit level to check alignment. Using a pencil mark the positions for the four wall plug holes from inside the cabinet. Drill holes to appropriate depth and push in wall plugs (B) so they are flush. Hold cabinet up to wall and fix screws (A) securely from inside the cabinet to the wall plugs (B). Stick adhesive screw covers (C) (matching grain direction). Push shelf brackets (D) into pre-drilled holes inside the cabinet at required heights and fit shelves (E).

### Warnings:

Fit in accordance with manufacturers instructions. Do not strike the glass with hard or pointed items. Wear suitable eye protection when drilling. When using power tools near water the use of a residual current device is advised for added protection against electric shock. Beware of hidden pipes or power cables in the wall. Take care when drilling on glazed tile surfaces in case the drill slips. Avoid contact with water and liquids as this may cause damage to surface finishes. Maximum load - 2kg per shelf.

### Cleaning:

Wipe using a damp cloth with mild soap solution; do not use abrasive cleaners as these may damage the surface finish.