

adjustable
up to 3000
(10')
standard

adjustable
up to 30500
(120')
custom

min.
drop length
600mm
(23.6')

approx 8kg (16.8 lb)

PENDANTS:	seven
CANOPY:	brushed nickel canopy 203mm (8") diameter and 32mm (1.3") deep
LAMPING:	20w xenon or 1.8w LED
LENGTH OF COAX:	3000 (10') standard / 30500 (100') maximum
INSTALLATION:	strain relief (pendant light site adjustable)
MATERIALS:	cast glass, braided metal coaxial cable, electrical components, powder coated steel hardware and a brushed nickel canopy
WEIGHT:	approximately 8kg (16.8lb)
TRANSFORMERS:	integral

DESCRIPTION

28.7 is a cluster of seven 28 pendants hung from a round canopy. The pendants hang in shape of a hexagonal bouquet, bundled together by an adjustable ring, which changes the curvature of the piece and its proportional reading.

28 is an exploration of specificity in manufacturing. Instead of designing form itself, here the intent was to design a system of making that yields form. Individual 28 pendants result from a complex glass blowing technique whereby air pressure is intermittently introduced into and then removed from a glass matrix which is intermittently heated and then rapidly cooled. The result is a distorted spherical shape with a composed collection of imploded inner shapes, one of which acts as a shade for a low voltage (12V, 20W) xenon light source.

28 pendants are designed to cluster in hexagonal shapes which nestle into each other to create patterns as dictated by the needs of the interior. They may also be clustered or composed in an ambient manner similar to their distant cousins the 14's.

Standard 28's are made with clear glass exterior spheres and milk white interior lamp holder cavities. 28's are possible with infinite versatility in colour compositions, sizes and shapes.

NOTES

- + Purchase replacement lamps online at www.bocci.ca/lamps
- + Unless otherwise noted when ordering, all chandeliers will be outfitted to be xenon compatible.
- + Note: As an alternative to a built-in transformer, Bocci recommends mounting transformers remotely in an easily accessible and hidden location for ease of long-term maintenance.

US patent # D687,740 Worldwide patents issued and pending.
Made in Vancouver, Canada

BOCCI Vancouver
sales@bocci.ca
www.bocci.ca

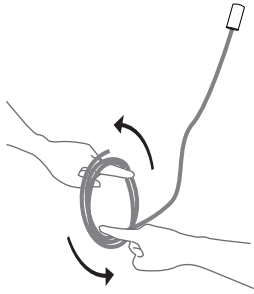
BOCCI Berlin
europe@bocci.ca
www.bocci.ca

CLUSTER

28.7

Design by Omer Arbel
PRODUCT SPECIFICATION

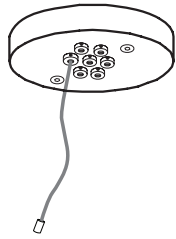




1

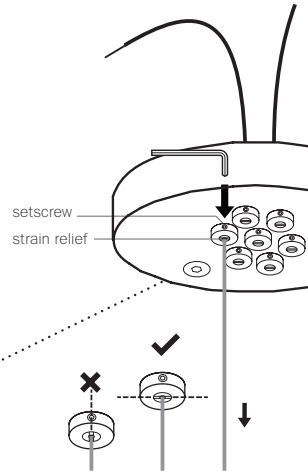
Very carefully uncoil the braided coaxial cable in a spool like manner. Insert your index fingers into opposite sides of the roll then rotate your fingers around each other to unroll the coaxial cable.

Use patience: allow the cable to uncoil completely to avoid kinks.



2

Determine the overall drop for the pendant fixture.



3

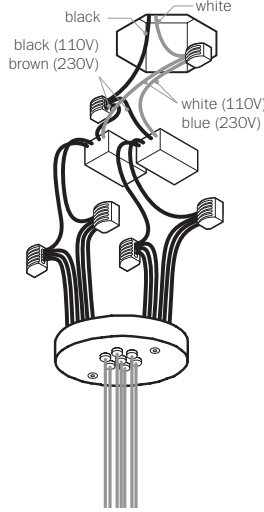
To thread the coaxial cables through the canopy, use the Allen key provided to loosen the setscrew in the canopy and gently feed the first cable through the canopy until you have reached your desired drop length. Use the Allen key to tighten the setscrew against the strain relief to secure the coaxial cable at its new length.

DO NOT OVERTIGHTEN.

Thread the remaining coaxial cables through the canopy in the same manner.

Note: The strain relief is the black plastic collar around the coaxial cable. There is a single slot opening on the side of the strain relief component. It is essential that this opening is oriented at 90 degrees to set screw chamber. There can be no contact between the set screw and the cable.

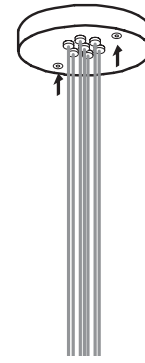
- RISK OF ELECTRIC SHORT!



4

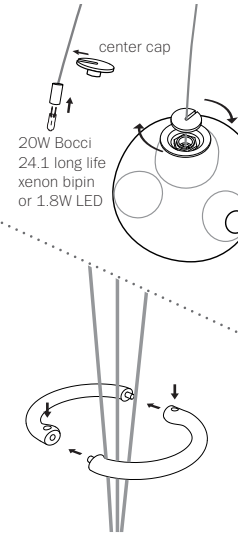
Connect the coaxial cable to the open slots in the terminal block on the 12V side of the transformers. Ensure that the braided outer wires are all connected to one 12V output wire and all inner insulated wires are connected to the other or a short will occur.

Once all the coaxial connections are made, lift the fixture into position and connect the line voltage to the open slot in the appropriate terminal block.



5

Tuck the transformer and wiring into the octagonal box, if available, and place canopy cover plate, lining up the fastener holes or connect directly to structural ceiling surface. Affix canopy cover with fasteners provided.



6

Bocci 24.1.2 long life bipin xenon lamps included. Plug the lamp into the socket. Do not touch the lamp with your bare hands.

Remove the center cap from 28 pendant.

Install 28 pendant by sliding the center cap onto the coaxial cable, gently insert the lamp into the pendant, then tighten the center cap connection by hand.

Do not over tighten.

Remove the protective film from the center cap after assembly.

Note: when using a dimmer for xenon, use only low voltage electronic dimmer.

Gather all the coaxial cables then install the ring with setscrews provided.

Note: setscrews face up.



7

Clean fingerprints from glass surfaces.

Turn fixture on.

Purchase replacement lamps online at www.bocci.ca/lamps

*

For additional assistance, please contact Bocci:

BOCCI Vancouver
info@bocci.ca
www.bocci.ca

BOCCI Berlin
berlin@bocci.com
www.bocci.ca

Worldwide patents issued and pending.

Made in Vancouver, Canada

Approved to UL standards by CSA



CLUSTER

28.7

Design by Omer Arbel
INSTALLATION INSTRUCTIONS