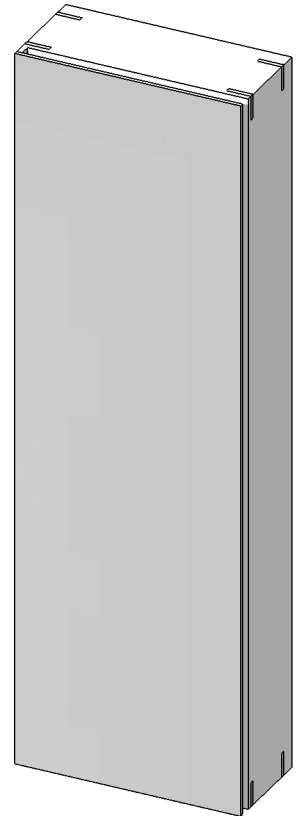
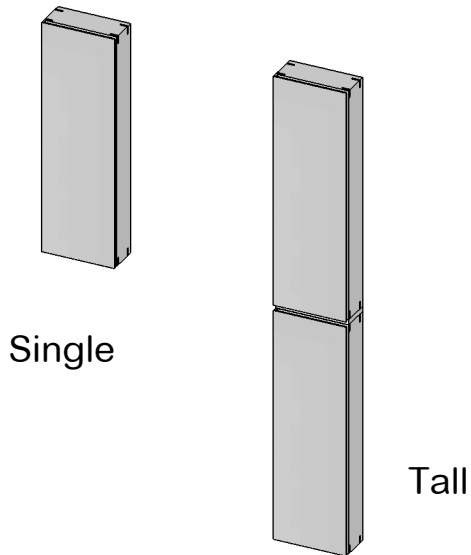


Thank you for buying 'Zone bathroom cabinet'
Installation instructions.

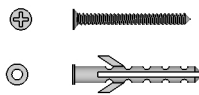
Please read the instructions and warnings carefully before use to ensure safe and satisfactory operation of this product.

Instructions will cover the correct installation for **Single**, **Double** and **Tall** Zone bathroom cabinet designs.



Cabinet fixings (as marked):

- (A) Wall screws 40mm x4 (single) / x8 (tall)
- (B) Wall plugs x4 (single) / x8 (tall)



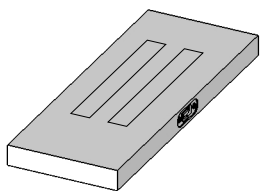
Parts (as marked):

- (1) Shelf brackets x12 (single) / x24 (tall)
- (2) Glass shelves x3 (single) / x6 (tall)



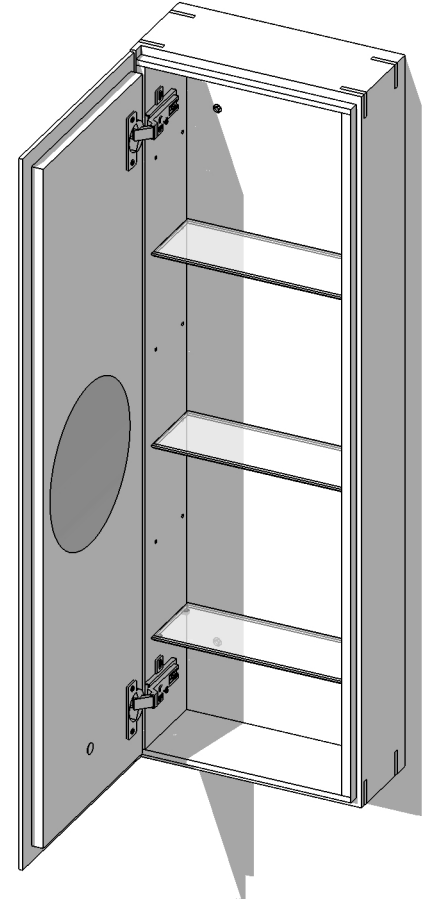
Tall cabinet divider:

- (3) divider board x1 (tall)



Fitting Instructions:

You will need a power drill, masonry drill bit, a medium crosshead screwdriver, a spirit level and pencil to install this product. Ensure the wall surface is of suitable strength and construction before hanging the cabinet.



Single cabinet

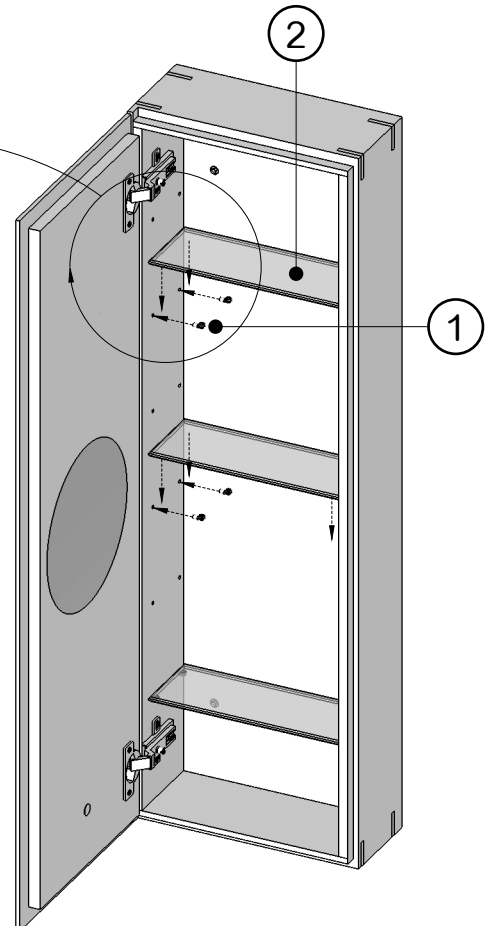
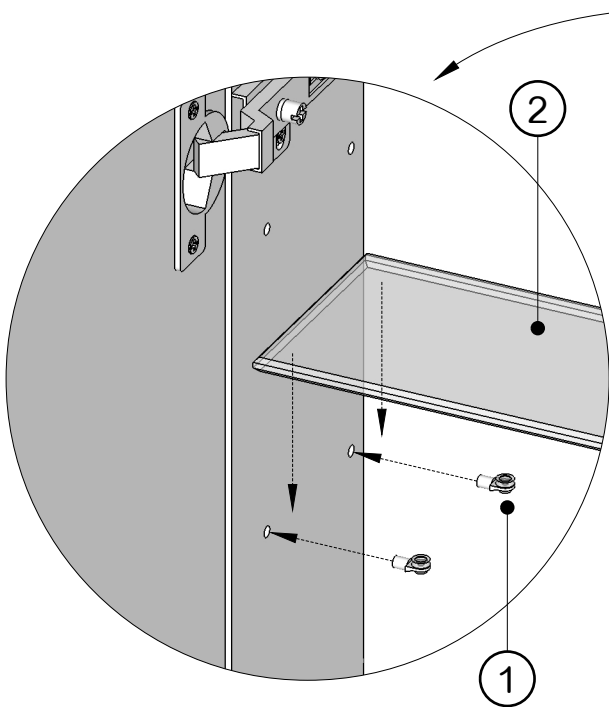
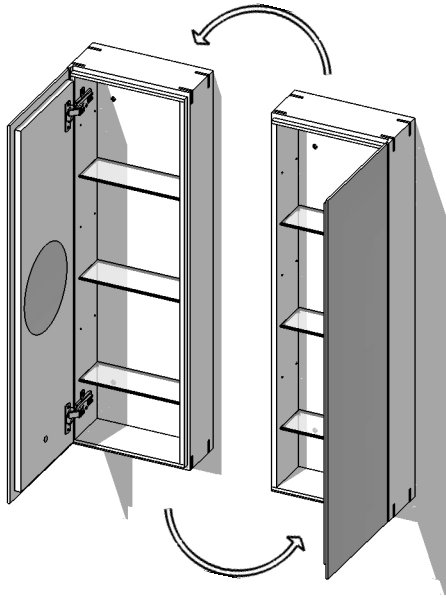
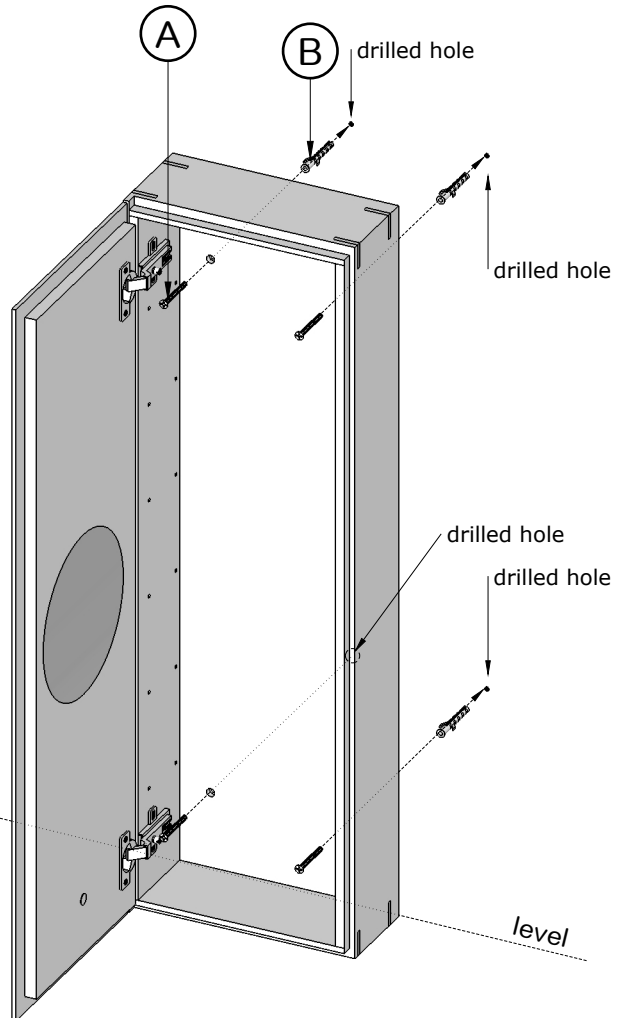
Position cabinet against wall using spirit level to check alignment. Mark using a pencil the positions for the four wall plug holes from inside the cabinet.

Drill holes to depth of 40mm and push in wall plugs

(B) so they are flush.

Hold cabinet upto wall and fix screws (A) securely from inside the cabinet to the wall plugs.

Push shelf brackets into pre-drilled holes inside the cabinet at required heights and fit shelves.

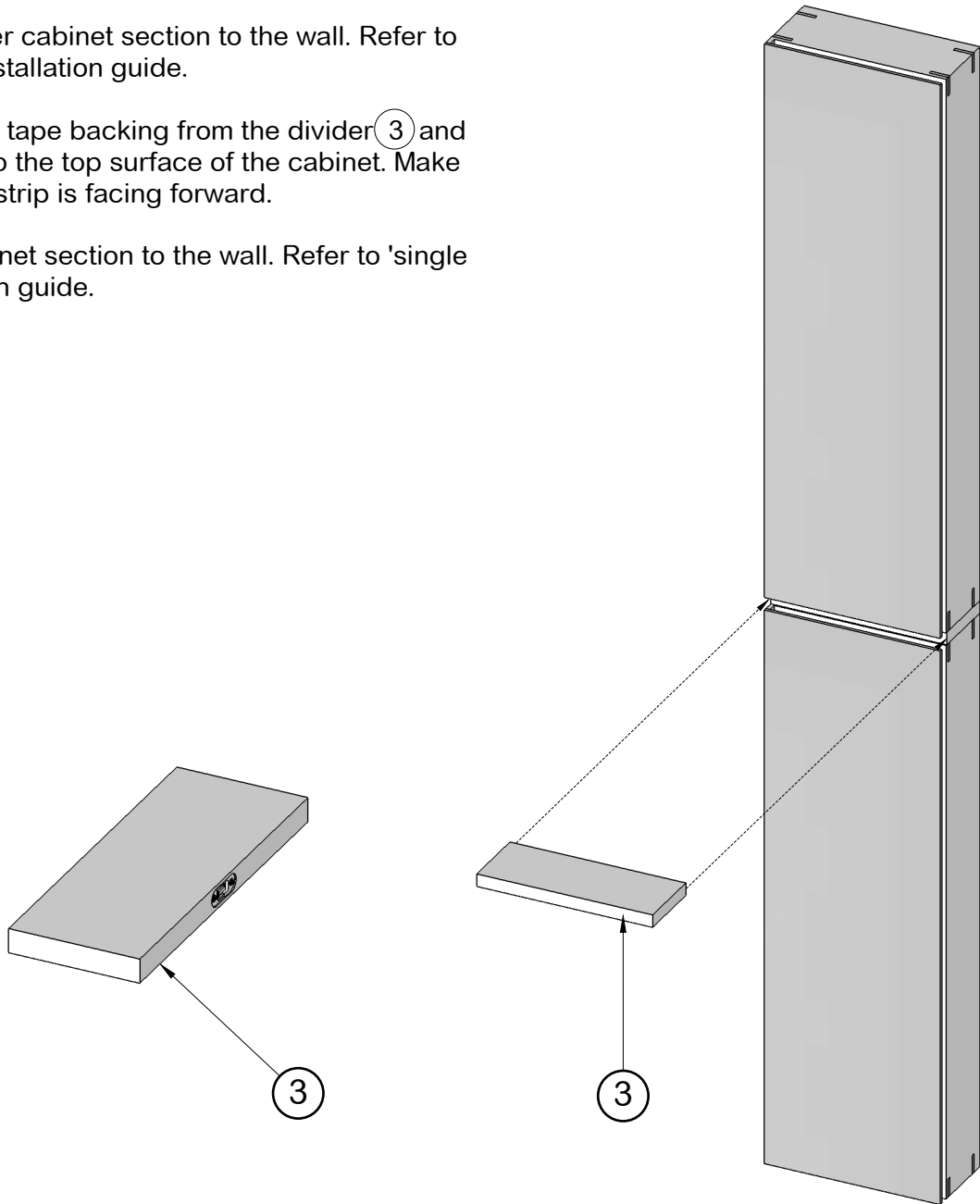


Tall cabinet

First step: Fit lower cabinet section to the wall. Refer to 'single cabinet' installation guide.

Remove adhesive tape backing from the divider **3** and stick the divider to the top surface of the cabinet. Make sure that the oak strip is facing forward.

Fit the upper cabinet section to the wall. Refer to 'single cabinet' installation guide.



Warnings:

Fit in accordance with manufacturers instructions. Do not place very hot or very cold items against or in close proximity to glass surfaces unless an adequately thick insulating material is used to prevent such items from coming into contact with the glass. Do not strike the glass with hard or pointed items.

Wear suitable eye protection when drilling. When using power tools near water the use of a residual current device is advised for added protection against electric shock. Beware of hidden pipes or power cables. Take care when drilling on glazed tile surfaces in case drill slips.

Cleaning:

When cleaning glass panels or mirrors use a damp cloth or chamois leather with washing up liquid or soft soap if necessary; do not use washing powders or any other substance containing abrasives since these substances scratch glass.

Complies with BS 7449: 1991.

Mirror thickness 4mm film backed.

Model ref: Zone 800 wall cab.

If glass component is chipped or broken replace with glass of the same type.

Supplied by Wireworks 43a Mercers Road London N19 4PP.
www.wireworks.co.uk

wireworks
london