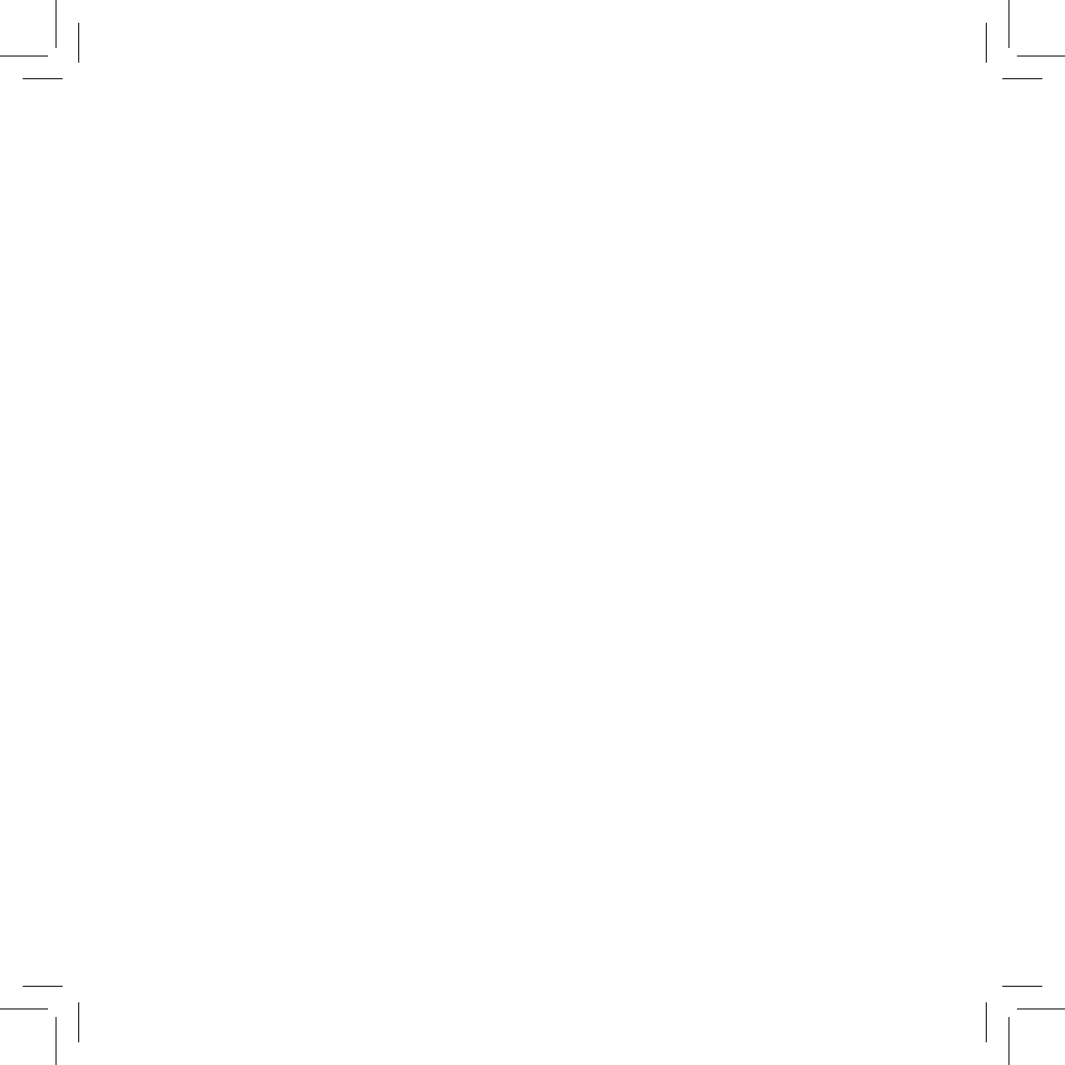


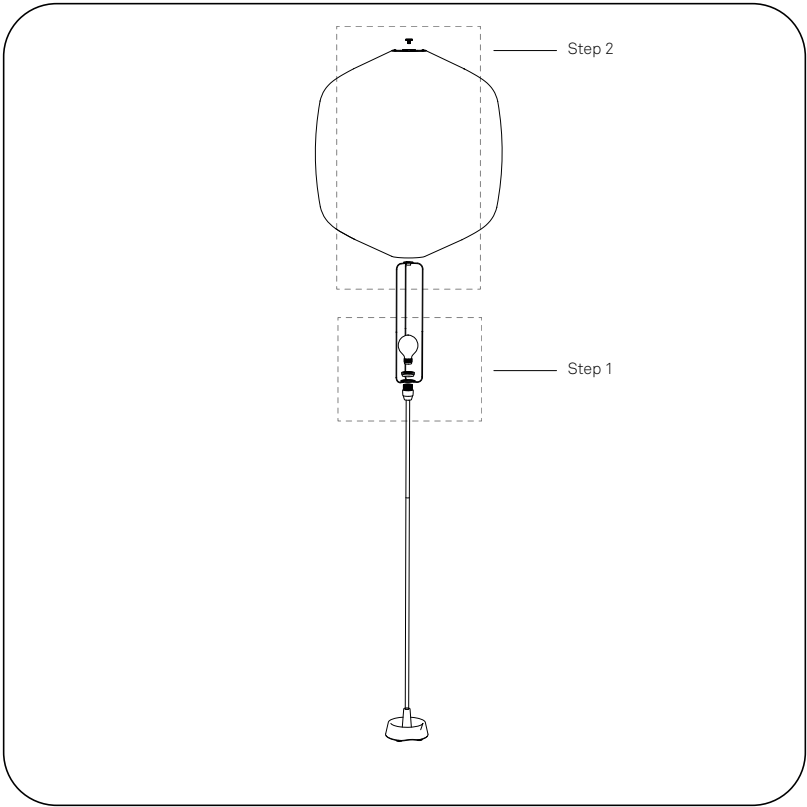
HOTARU

ほたる

Cast Iron Base (F)

Designed by Edward Barber & Jay Osgerby
Produced by twentytwentyone

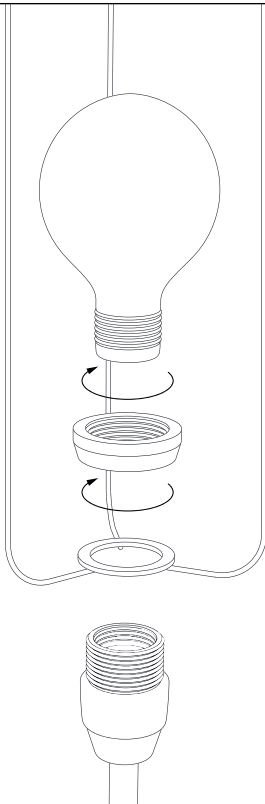


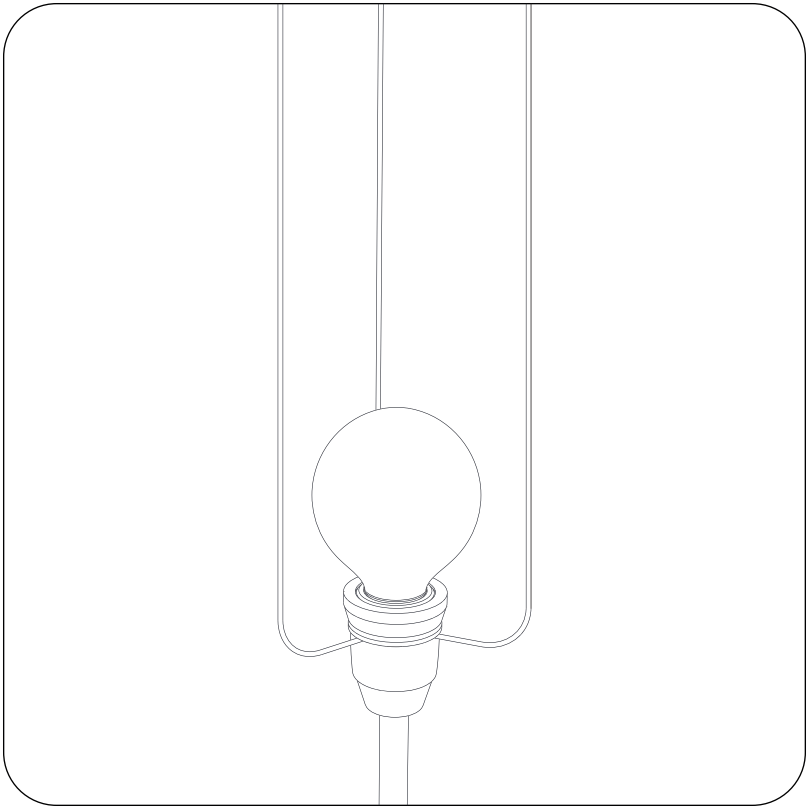


Step 2

Step 1

Step 1





Step 2

