

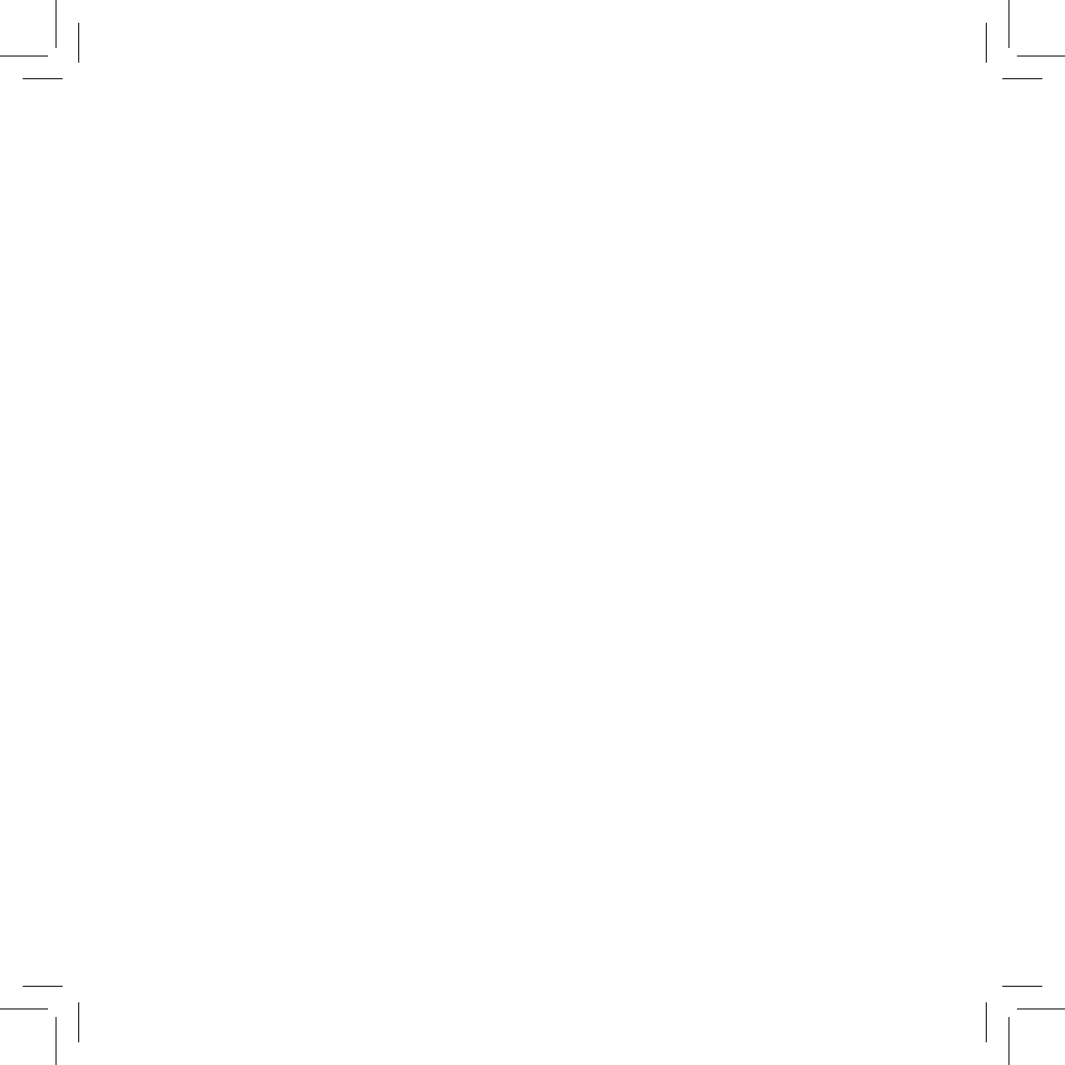
HOTARU

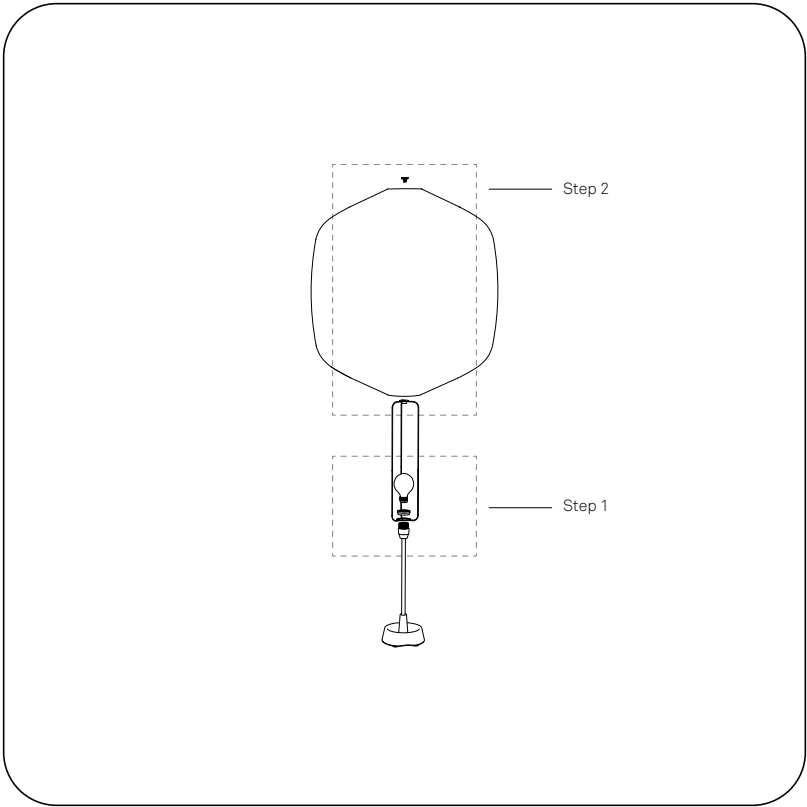
ほたる

Cast Iron Base (T)

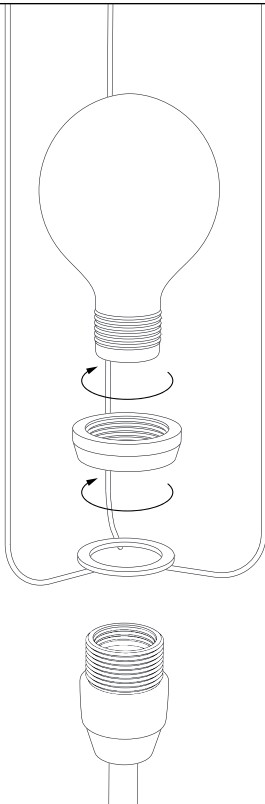
Designed by Edward Barber & Jay Osgerby

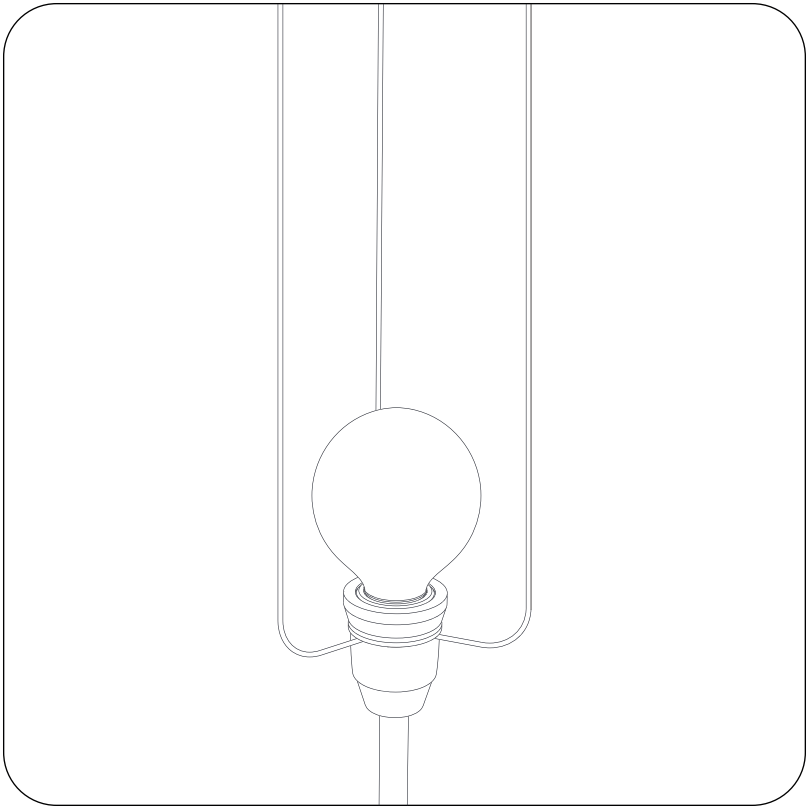
Produced by twentytwentyone





Step 1





Step 2

