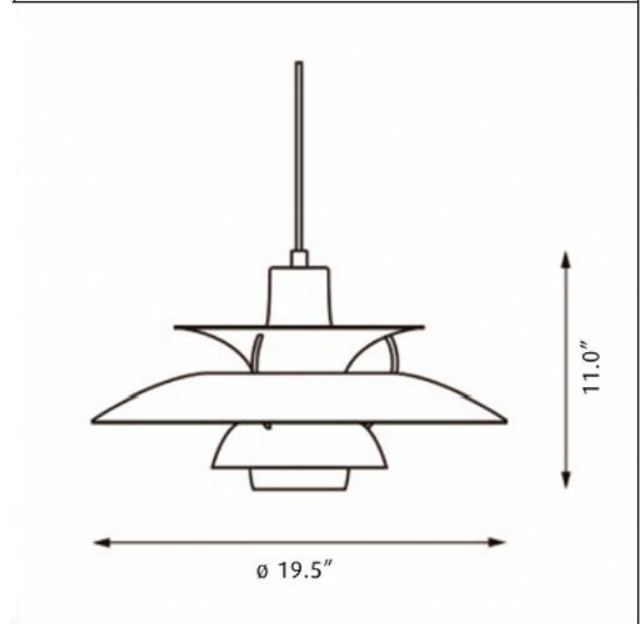


PH 5 & PH 50



Design Poul Henningsen

Concept The fixture provides 100% glare-free light. Its design is based on the principle of a reflective three-shade system, which directs majority of the light downwards. The fixture emits both downward and lateral light, thus illuminating itself. In the PH 5 Classic, a warmer tone of light is created by the inside red cone and a small blue reflector.

Finish PH 50: Chili red, coconut white, mint blue, olive black or wasabi green, glossy, wet lacquered. PH 5 Classic: White, matt coated. PH 5: White/Pale rose, Dark Grey/Turquoise, Army/Dark Grey, Pale Rose/Green, matt coated.

Material Shades: Spun aluminium. Anti-glare disc: Blue, red, pale rose, green, dark grey or turquoise, spun aluminium. Struts: Aluminium coloured, purple or bronze coloured, rolled aluminium.

Mounting Suspension type: Cable 3x0,75mm². Canopy: Yes. Cable length: 3m.

Weight Max. 2.5kg.

Class Ingress protection IP20. Electric shock protection I w. ground.

Product Code	Light source	Finish	Cable type
PH5/PH50-P	1x23/30W TC-TSE/1x200W E27	PH 5, ARMY/DARK GREY MAT PH 5, DARK GREY/TURQUOISE MAT PH 5, PALE ROSE/GREEN MAT PH 5, WHITE CLASSIC MAT PH 5, WHITE/PALE ROSE MAT PH 50, CHILI RED GLOSS PH 50, COCONUT WHITE GLOSS PH 50, MINT BLUE GLOSS PH 50, OLIVE BLACK GLOSS PH 50, WASABI GREEN GLOSS	WHT TEX