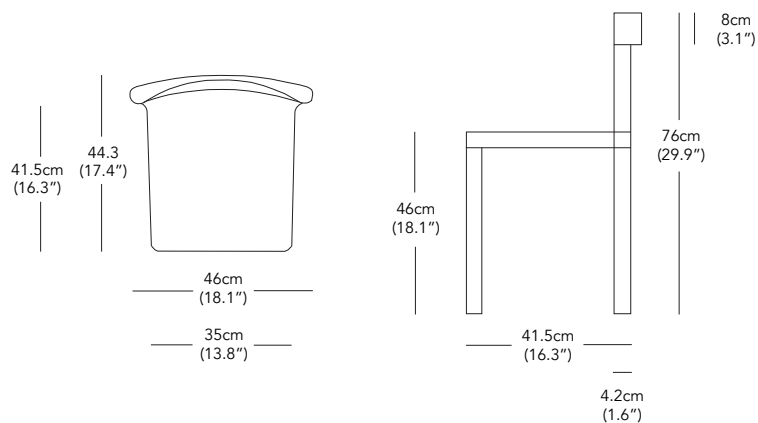


# Resident Pier Chair

Designer- Leonard Kadid / 2020



## PRODUCT DESCRIPTION

Dining Chair

## PRODUCT CODE

PIE001N - Pier Chair Natural

PIE001B - Pier Chair Black

## MATERIALS

Solid Oak

## COLOUR OPTIONS

Natural Oak

Black Stained Oak

## PRODUCT ENVIRONMENT

Indoor Use Only

## APPROPRIATE FOR HARD CONTRACT USE

Yes

## CERTIFICATION

F.S.C Certified Wood

## WARRANTY

3 Years

[www.resident.co.nz/downloads](http://www.resident.co.nz/downloads)

[www.resident.co.nz/assistance](http://www.resident.co.nz/assistance)

## PACKAGED DIMENSIONS

2 per box

W D H

49 x 54 x 95cm

0.25 m<sup>3</sup>

19.3 x 21.3 x 37.4"

8.9 ft<sup>3</sup>

## PACKAGED WEIGHT

19.5 kg (2 per box)

43.0 lbs (2 per box)

## PRODUCT WEIGHT

6.2 kg per chair

13.7 lbs per chair

## CUSTOMISATION

Please email [sales@resident.co.nz](mailto:sales@resident.co.nz) for enquiries