



Chemise



Chemise XL

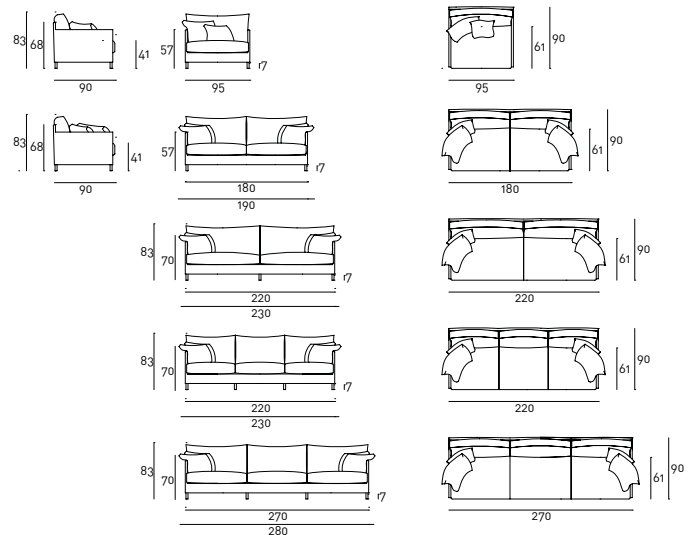


Chemise XL poltroncina

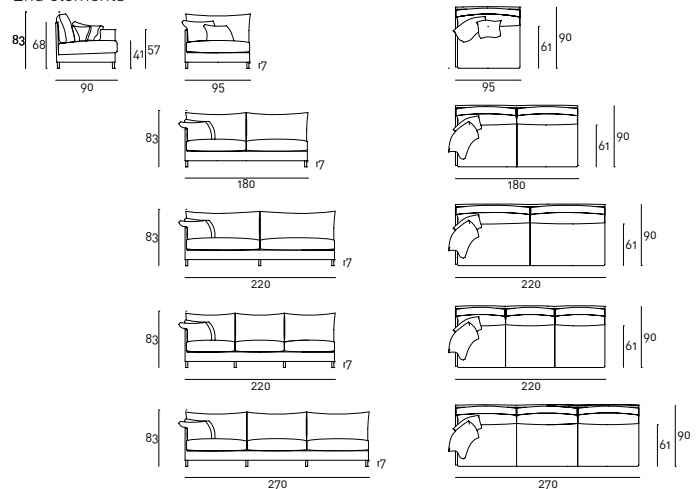
Chemise – Chemise XL

design Piero Lissoni

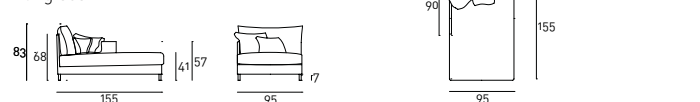
Fix or modular sofa and armchair. Supporting frame in lacquered drawn tubular steel. Seat chassis in fir wood, with cross-woven, coated rubber elastic straps. Backrest and armrest frames made with a structural elastic material. Covering in 100% polyether thermally bonded onto a polyamide velveteen backing. Seat and backrest cushions padding with polyurethane foam insert coated with prewashed and sterilized goose down, stitched into separate compartments, or covered with acrylic fibre layers. Armrest cushions and supporting pillows in prewashed and sterilized goose down, stitched into separate compartments. Tubular feet in AISI 304 stainless steel with matt satin-finish, on request available in natural or ebony-dyed oak. Fabric or leather upholstery, both fully removable by zippers and Velcro fastenings. Standard flounce 7cm from the floor for fabric upholstery only, on request available also without flounce. The leather version is always without flounce. Seat depth 61-81cm.



End elements



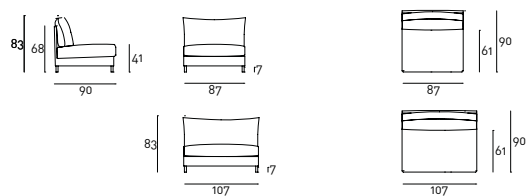
Long seat



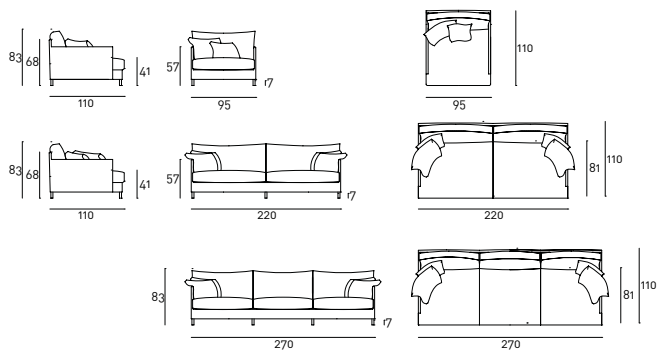
Chemise – Chemise XL

design Piero Lissoni

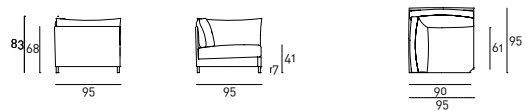
Elements without armrest



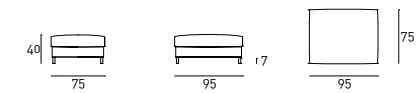
Chemise XL



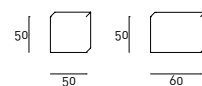
Corner element



Footrest



Cushions





Chemise Sofa Bed

design Piero Lissoni

Sofa bed with structure in poplar plywood.

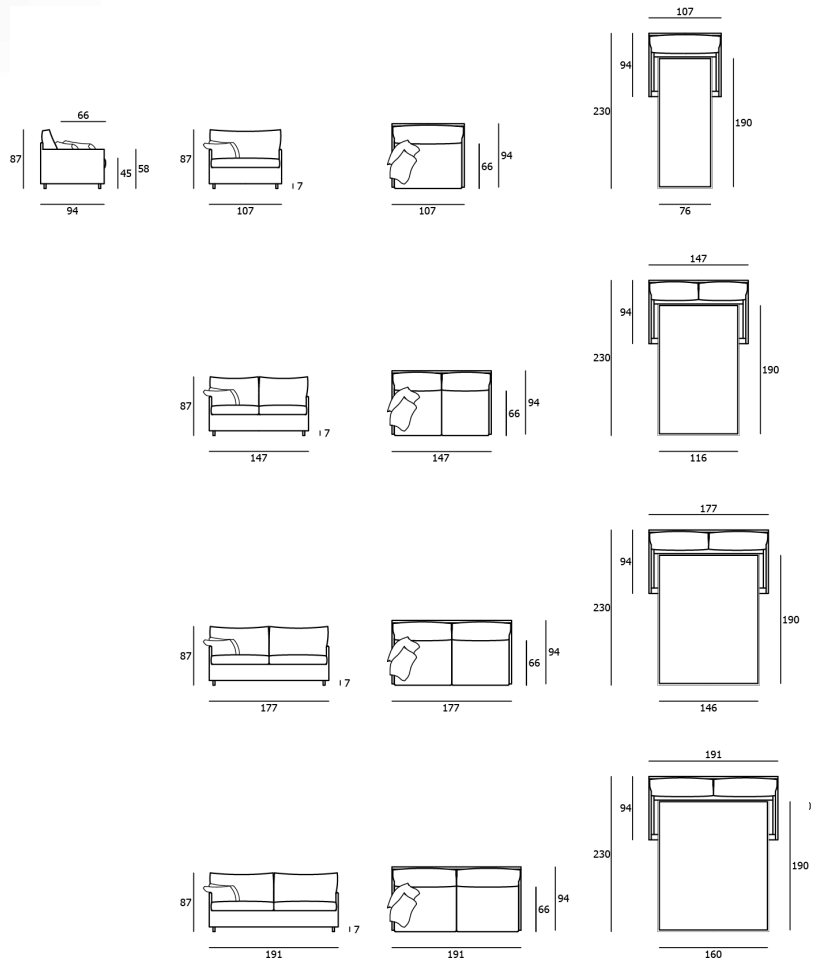
Covering in 100% polyether thermally bonded onto a polyamide velveteen backing. Seat cushion with preformed, differentiated density polyurethane foam structure, coated with acrylic fibre layers. Back cushions in prewashed and sterilized goose down, stitched into separate compartments with insert in polyurethane foam. Black PVC feet.

Fabric or leather upholstery, both fully removable by zippers and Velcro fastenings. Fabric upholstery only, with flounce 4cm from the floor. The leather version is always without flounce.

Electro-welded orthopedic base, high tensile steel frame with epoxy powder coating finish. Steel spring mattress with 100% cotton cover.

Cover in fabric, to protect the base.

Seat depth 68cm.



Cushion

