

## BM29 Shelf

Designed By Børge Mogensen, 1956

The BM29 Shelf by Børge Mogensen is timeless and functional furniture crafted in Denmark from solid wood and veneer. Designed for Fredericia in 1956, it showcases our longstanding tradition for exquisite Scandinavian Design.

### MODEL

2921 - 1 compartment, 2 shelves

### MATERIALS

Rails and brackets are solid wood while the shelves are veneer. The shelves are mounted on the rails and brackets using screws. The rails are mounted to the wall with the keyhole fittings and screws. Brass screws for mounting of shelves to rails and to the wall is included. Rawplugs is not included as it depends on the specific type of wall. Max load capacity for the shelf is 10 kg per shelf, where the composition of the wall and the mounting of the module allow this. The weight should be distributed evenly.

### COUNTRY OF ORIGIN

DK



### ESSENTIAL ASSORTMENT

#### SURFACE

---

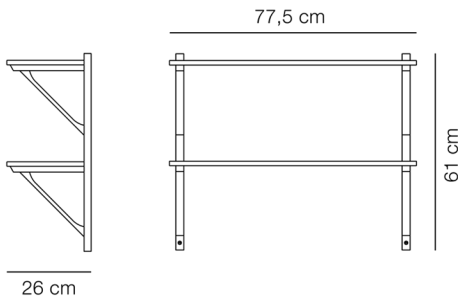
Oak lacquer

---

Walnut lacquer

---

## DIMENSIONS



Weight: 7 kg

## PACKAGING INFORMATION

L: 81 cm, W: 27 cm, H: 8 cm,

Cbm: 0,02m<sup>3</sup>

9 kg

## CARE & MAINTENANCE

Our Care & Maintenance offers guidance for best maintenance of our furniture. It includes advice and instructions on cleaning and caring for specific materials to ensure a long life of your furniture. Find your product on our product site and navigate to the Product Care menu:

[Link to Cleaning & Maintenance](#)

## SUSTAINABILITY

Fredericia's furniture is intended to be passed on from generation to generation. The core values of good design are rooted in the sense of responsibility and use of natural materials, ethical methods of production and respect for the people using our furniture every day.

Transparency, sustainability, and circularity are essential, and with a growing number of certifications and ambitious initiatives, Fredericia takes pride in continuously improving its performance while facilitating sustainable customer choices. Download our Sustainability report, Fredericia for People & Planet, here:

[Fredericia for People & Planet](#)

## WARRANTY

Fredericia Furniture A/S offers a 7-year guarantee against manufacturing defects in standard products (materials and construction). The warranty does not cover wear and damage to covers, surface treatment, inappropriate use and the like.

For further information regarding our guarantee, please visit [Fredericia.com](#).

## DOWNLOADS

Download images, architect files at our partner portal on [www.fredericia.com](#)

**SURFACES & COLOURS**

**WOOD**



OAK  
LACQUER



WALNUT  
LACQUER

## BM29 Shelf

Designed By Børge Mogensen, 1956

The BM29 Shelf by Børge Mogensen is timeless and functional furniture crafted in Denmark from solid wood and veneer. Designed for Fredericia in 1956, it showcases our longstanding tradition for exquisite Scandinavian Design.

### MODEL

2901 - 1 compartment, 3 shelves & desk shelf

### MATERIALS

Rails and brackets are solid wood while the shelves are veneer. The shelves are mounted on the rails and brackets using screws. The rails are mounted to the wall with the keyhole fittings and screws. Brass screws for mounting of shelves to rails and to the wall is included. Rawplugs is not included as it depends on the specific type of wall. Max load capacity for the shelf is 10 kg per shelf, where the composition of the wall and the mounting of the module allow this. The weight should be distributed evenly.

### COUNTRY OF ORIGIN

DK



### ESSENTIAL ASSORTMENT

#### SURFACE

---

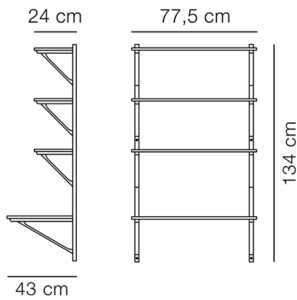
Oak lacquer

---

Walnut lacquer

---

## DIMENSIONS



Weight: 14 kg

## PACKAGING INFORMATION

L: 137 cm, W: 45 cm, H: 11 cm,

Cbm: 0,07m<sup>3</sup>

16 kg

## CARE & MAINTENANCE

Our Care & Maintenance offers guidance for best maintenance of our furniture. It includes advice and instructions on cleaning and caring for specific materials to ensure a long life of your furniture. Find your product on our product site and navigate to the Product Care menu:

[Link to Cleaning & Maintenance](#)

## SUSTAINABILITY

Fredericia's furniture is intended to be passed on from generation to generation. The core values of good design are rooted in the sense of responsibility and use of natural materials, ethical methods of production and respect for the people using our furniture every day.

Transparency, sustainability, and circularity are essential, and with a growing number of certifications and ambitious initiatives, Fredericia takes pride in continuously improving its performance while facilitating sustainable customer choices. Download our Sustainability report, Fredericia for People & Planet, here:

[Fredericia for People & Planet](#)

## WARRANTY

Fredericia Furniture A/S offers a 7-year guarantee against manufacturing defects in standard products (materials and construction). The warranty does not cover wear and damage to covers, surface treatment, inappropriate use and the like.

For further information regarding our guarantee, please visit [Fredericia.com](#).

## DOWNLOADS

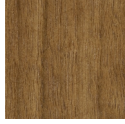
Download images, architect files at our partner portal on [www.fredericia.com](#)

SURFACES & COLOURS

WOOD



OAK  
LACQUER



WALNUT  
LACQUER

## BM29 Shelf

Designed By Børge Mogensen, 1956

The BM29 Shelf by Børge Mogensen is timeless and functional furniture crafted in Denmark from solid wood and veneer. Designed for Fredericia in 1956, it showcases our longstanding tradition for exquisite Scandinavian Design.

### MODEL

2920 - 2 compartments, 2 shelves

### MATERIALS

Rails and brackets are solid wood while the shelves are veneer. The shelves are mounted on the rails and brackets using screws. The rails are mounted to the wall with the keyhole fittings and screws. Brass screws for mounting of shelves to rails and to the wall is included. Rawplugs is not included as it depends on the specific type of wall. Max load capacity for the long shelves is 15 kg per shelf where the composition on the wall and the mounting of the module allow this. The weight should be distributed evenly.

### COUNTRY OF ORIGIN

DK

### ESSENTIAL ASSORTMENT

#### SURFACE

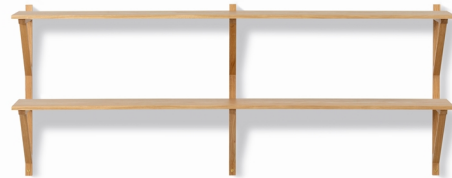
---

Oak lacquer

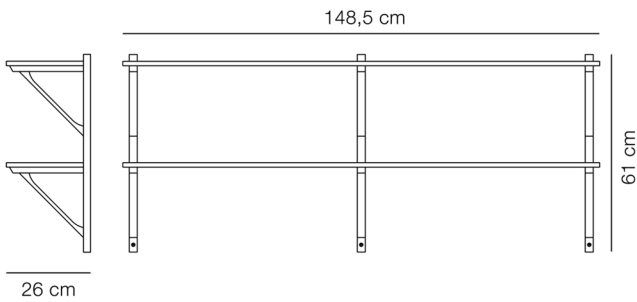
---

Walnut lacquer

---



## DIMENSIONS



Weight: 11 kg

## PACKAGING INFORMATION

L: 156 cm, W: 28 cm, H: 11 cm,

Cbm: 0,05m<sup>3</sup>

13 kg

## CARE & MAINTENANCE

Our Care & Maintenance offers guidance for best maintenance of our furniture. It includes advice and instructions on cleaning and caring for specific materials to ensure a long life of your furniture. Find your product on our product site and navigate to the Product Care menu:

[Link to Cleaning & Maintenance](#)

## SUSTAINABILITY

Fredericia's furniture is intended to be passed on from generation to generation. The core values of good design are rooted in the sense of responsibility and use of natural materials, ethical methods of production and respect for the people using our furniture every day.

Transparency, sustainability, and circularity are essential, and with a growing number of certifications and ambitious initiatives, Fredericia takes pride in continuously improving its performance while facilitating sustainable customer choices. Download our Sustainability report, Fredericia for People & Planet, here:

[Fredericia for People & Planet](#)

## WARRANTY

Fredericia Furniture A/S offers a 7-year guarantee against manufacturing defects in standard products (materials and construction). The warranty does not cover wear and damage to covers, surface treatment, inappropriate use and the like.

For further information regarding our guarantee, please visit [Fredericia.com](#).

## DOWNLOADS

Download images, architect files at our partner portal on [www.fredericia.com](#)



**SURFACES & COLOURS**

**WOOD**



OAK  
LACQUER



WALNUT  
LACQUER

## BM29 Shelf

Designed By Børge Mogensen, 1956

The BM29 Shelf by Børge Mogensen is timeless and functional furniture crafted in Denmark from solid wood and veneer. Designed for Fredericia in 1956, it showcases our longstanding tradition for exquisite Scandinavian Design.

### MODEL

2900 - 2 compartments, 3 shelves & desk shelf

### MATERIALS

Rails and brackets are solid wood while the shelves are veneer. The shelves are mounted on the rails and brackets using screws. The rails are mounted to the wall with the keyhole fittings and screws. Brass screws for mounting of shelves to rails and to the wall is included. Rawplugs is not included as it depends on the specific type of wall. Max load capacity is 15 kg per long shelf where the composition of the wall and the mounting of the module allow this. The weight should be distributed evenly.

### COUNTRY OF ORIGIN

DK



### ESSENTIAL ASSORTMENT

#### SURFACE

---

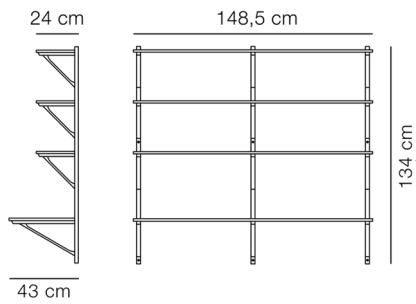
Oak lacquer

---

Walnut lacquer

---

## DIMENSIONS



Weight: 24 kg

## PACKAGING INFORMATION

L: 156 cm, W: 45 cm, H: 14 cm,

Cbm: 0,1m<sup>3</sup>

26 kg

## CARE & MAINTENANCE

Our Care & Maintenance offers guidance for best maintenance of our furniture. It includes advice and instructions on cleaning and caring for specific materials to ensure a long life of your furniture. Find your product on our product site and navigate to the Product Care menu:

[Link to Cleaning & Maintenance](#)

## SUSTAINABILITY

Fredericia's furniture is intended to be passed on from generation to generation. The core values of good design are rooted in the sense of responsibility and use of natural materials, ethical methods of production and respect for the people using our furniture every day.

Transparency, sustainability, and circularity are essential, and with a growing number of certifications and ambitious initiatives, Fredericia takes pride in continuously improving its performance while facilitating sustainable customer choices. Download our Sustainability report, Fredericia for People & Planet, here:

[Fredericia for People & Planet](#)

## WARRANTY

Fredericia Furniture A/S offers a 7-year guarantee against manufacturing defects in standard products (materials and construction). The warranty does not cover wear and damage to covers, surface treatment, inappropriate use and the like.

For further information regarding our guarantee, please visit [Fredericia.com](#).

## DOWNLOADS

Download images, architect files at our partner portal on [www.fredericia.com](#)

SURFACES & COLOURS

WOOD



OAK  
LACQUER



WALNUT  
LACQUER