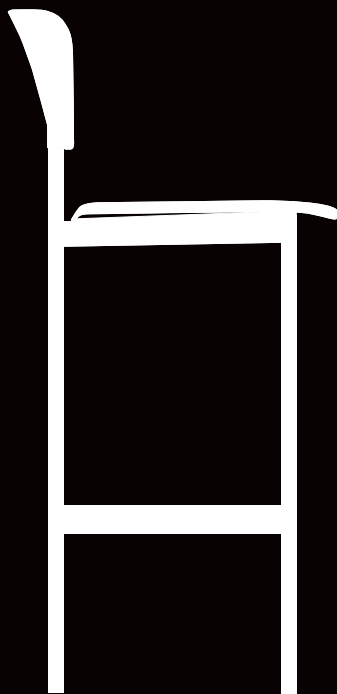


Plan Barstool 3432
By Edward Baber
& Jay Osgerby



Fredericia

Instructions for use

Plan Barstool 3432

By Edward Barber
& Jay Osgerby

Type: Barstool
Model 3432 / 8,8 kg

H: 109 cm
W: 42 cm
D: 52 cm
SH: 77 cm

Plan Barstool is a versatile chair series for many applications and interior projects. The option of either a plywood veneer chair to a fully upholstered chair makes it possible to create just the right setting with different materials and tactility. It's a chair with a small footprint while offering optimal seating comfort. Small and simple in its form but full of personality. The construction is sturdy and easy to disassemble and recycle.

Material description

Back and seat of plywood. Beech core with oak or ash veneer. Water based lacquer. Frame of tubular steel, black powder coated. Mounted with plastic glides. Plastic and metal fittings.

Disassembly & recycling guide

Model no. 3432 can easily be separated into parts with only a few tools.

To disassemble the chair, place chair upside down and unscrew the screws holding the seat with allen key sw 4. Remove screws and the plastic fittings underneath. Pull the glides out of the base.

To remove backrest, start by using the mallet to remove the backrest from the frame. Remove the metal cast with a flatheaded screwdriver, remove screws with allen key sw 3 to separate the metal pins and plastic spacer. See below guide for disassembly.

The metal base component, wooden seat, and backrest as well as plastic spacer, metal pins, screws, gliders and metal cast can be delivered to a suitable recycling facility and be recycled. See below for guide for an overview.

Usage

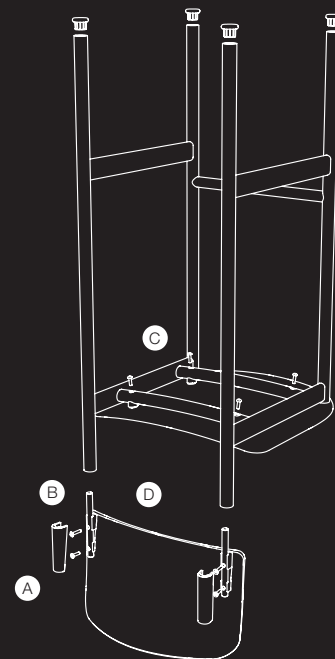
Model no. 3432 is a long-lasting furniture for both public environments and private residences.

Model no. 3432 is for indoor use only at regular room temperature.

We choose the best materials and apply authentic finishes so that our furniture keeps its beauty long term, while still being used every day. Our furniture is known to age well and last for generations, however careful treatment will ensure that your Fredericia product is long lasting and provides a lifetime of enjoyment for you.

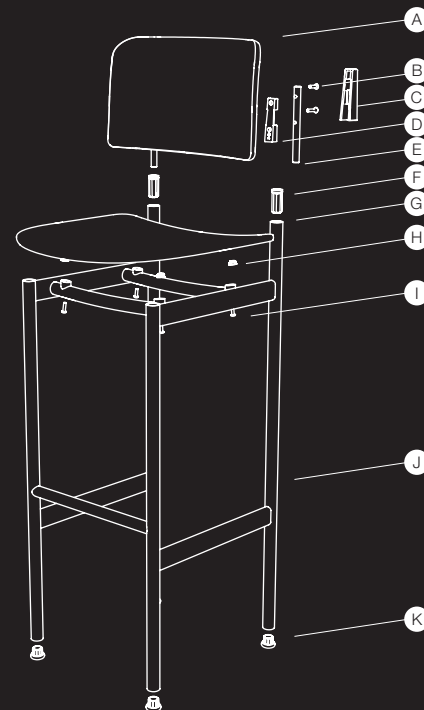
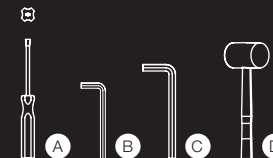
CAUTION

✘ NEVER use polish or any cleaning agent containing solvents or sanding qualities.



Tools required

- A. Screwdriver flat head
- B. Allen key sw 3
- C. Allen key sw 4
- D. Mallet



- A. 1 pcs. back (wood)
- B. 4 pcs. screws (metal)
- C. 2 pcs. cast (metal)
- D. 2 pcs. spacer (plastic)
- E. 2 pcs. pins (metal)
- F. 2 pcs. bushing (plastic)
- G. 1 pcs. seat (wood)
- H. 4 pcs. bushing (metal)
- I. 4 pcs. screws (metal)
- J. 1 pcs. base component (metal)
- K. 4 pcs. gliders (plastic)

Cleaning & Maintenance

LACQUERED & PAINTED WOOD

Lacquered surfaces are easy to clean, and they are highly resistant to dust and dirt. If you take good care of your lacquered furniture, no maintenance is necessary. Avoid leaving liquids on the surfaces and always ensure that they are kept dry. Small cracks in the lacquer can be mended by using the original Fredericia lacquer. Discoloration cannot be rectified by using cleaning agents but must be restored by a professional. Wipe with a clean, dry cloth, and remember to always wipe in the wood grains' longitudinal direction. If you need to wash down the entire piece of furniture, use a soft cloth, tightly wrung in lukewarm water containing a tiny bit of all-purpose cleaning agent. Always choose a mild cleaning agent without sanding qualities. Be careful not to use too much water, and preferably, use only a damp cloth. Remember to always finish off by wiping the surfaces with a dry cloth.

POWDER-COATED AND CHROMED STEEL

Powder coated metal is durable and does not require any particular type of maintenance. In case of stains, simply wipe with a soft cloth wrung in hot water, possibly containing a mild cleaning agent if necessary. Wipe the surface with a dry cloth, immediately after.

- Make sure to always wipe the metal frame after washing the floor to avoid stains.
- Please note that you should NEVER use chlorine-based liquids on steel, as this will cause corrosion.

Tests & declaration

Model no. 3432 complies with the following test:

ANSI/BIMFA X5.4-2020: American National Standard For Office Furnishings – Public and Lounge Seating

The chair is not treated with or containing disincentive biocides.

Warranty

Fredericia Furniture A/S offers a 7-year guarantee against manufacturing defects in standard products (materials and construction). The warranty does not cover wear and damage to covers, surface treatment, inappropriate use and the like.

Spare parts are available for a period of minimum 5 years after purchase. Please contact Fredericia customer service for inquiries regarding spare parts.

Fredericia Customer Care & Quality

Phone: + 45 75 92 33 44
Hours: Monday to Thursday 08.00-16.00
Email: customerservice@fredericia.com

It is of great importance that the things we purchase and live with do not need to be changed, but instead grow old with dignity and charm.

Andreas Graversen
Fredericia CEO 1955-1995

