



Prd

Isabella Chair

Designer- Simon James / Year 2018

The Isabella Chair is an exercise in the mixing of contrasting proportions. Its ultra slim three-legged steel base provides robust support and acts as a deliberate variant against a soft seat and tailored back cushion.

These elements gift the piece a refined modern look whilst providing the user with a uniquely comfortable situation for sitting.

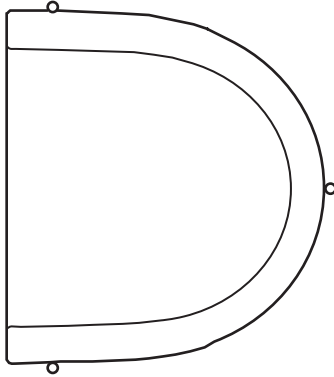
Ideal for commercial and residential applications

Resident

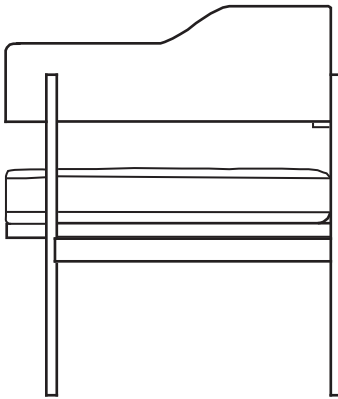
Resident Headquarters
61 Upper Queen Street
Newton Auckland New Zealand
Ph +64 9 601 9241
www.resident.co.nz

Prd

670mm (26.4")



Floor to seat 400mm (15.8")



680mm (26.8")

590mm (23.2")

Product Description

Armchair

Product Code

ISA001

Materials

Multi density feather and foam system
Timber and Steel frame

Upholstery

Category one- Revision by Resident

Category two- Meld by Maharam

Linara by Romo

Category three- Ascona by Pelle Leather

Fabric usage 2.5m per chair

Leather usage 4.25m per chair

Packaging dimensions

1 per box

W 72 x D 64 x H 73 cm

W 28.3 x D 25.2 x H 28.7inch

CBM - 0.34

CBF - 11.87

Packaging weight

15kg

33.1lbs

Appropriate for hard contract use

Yes

Warranty

3 Years

Resident

Resident Headquarters
61 Upper Queen Street
Newton Auckland New Zealand
Ph +64 9 601 9241
www.resident.co.nz