

Lámina 165

Antoni Arola. 2023
Wall Lamp



Lamina's use offers a comfortable ambient light for multiple uses.
White and concave lampshades opens up new depths of space both vertically and horizontally.

General description:

White grey metallic shade with brilliant finish (exterior).
Black metal structure with matte finish.
Polycarbonate diffuser.

Approximate weight (unpacked):

2,8 Kg / 6.2 lb

Technical information:

Light source included (dimmable).
Built-In LED

Rated input wattage: 42 W
Operating current: 1000 mA
Colour Temp.: 2.700K
CRI: 90
Lifetime: 40.000 h
Luminous flux: 2.788 lm

Built-in LED.
Suitable for dimming 0-10 / DALI (UL 1-10V). (Not included external dimmer switch 0-10V).
Energy efficiency class (E.E.C): E.
Suitable only for indoor use.
Always use this light source.

Input voltage: 110 ~ 277 Vac.
(50 Hz / 60 Hz). According to destination.

Regulations:

CE
UNE-EN 60598
UNE-EN 55015
UNE-EN 60529

UL
UL-1598
UL-8750
E-336377
Dry location only

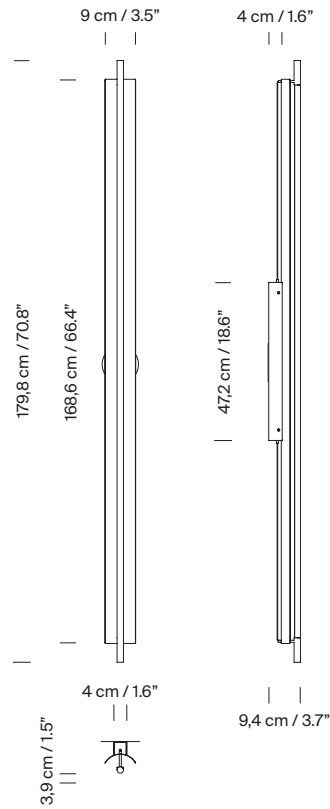
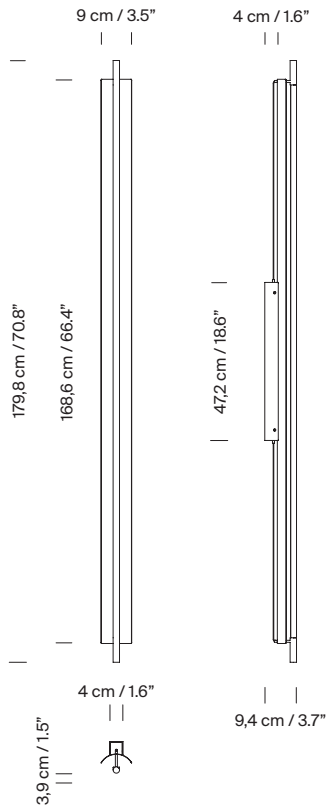
Maintenance:

Clean with a smooth cloth. Do not use ammonia, solvents or abrasive cleaning products.

Others:

The lamp is delivered in one package.
 The assembly instructions are delivered with the product.

Model:



Collection:

Table lamps

Floor lamps

Pendant lamps



Lámina 45



Lámina 45



Lámina 165



Lámina 45 / 85



Lámina 165



Lámina Mayor

Wall lamps



Lámina 45



Lámina 165