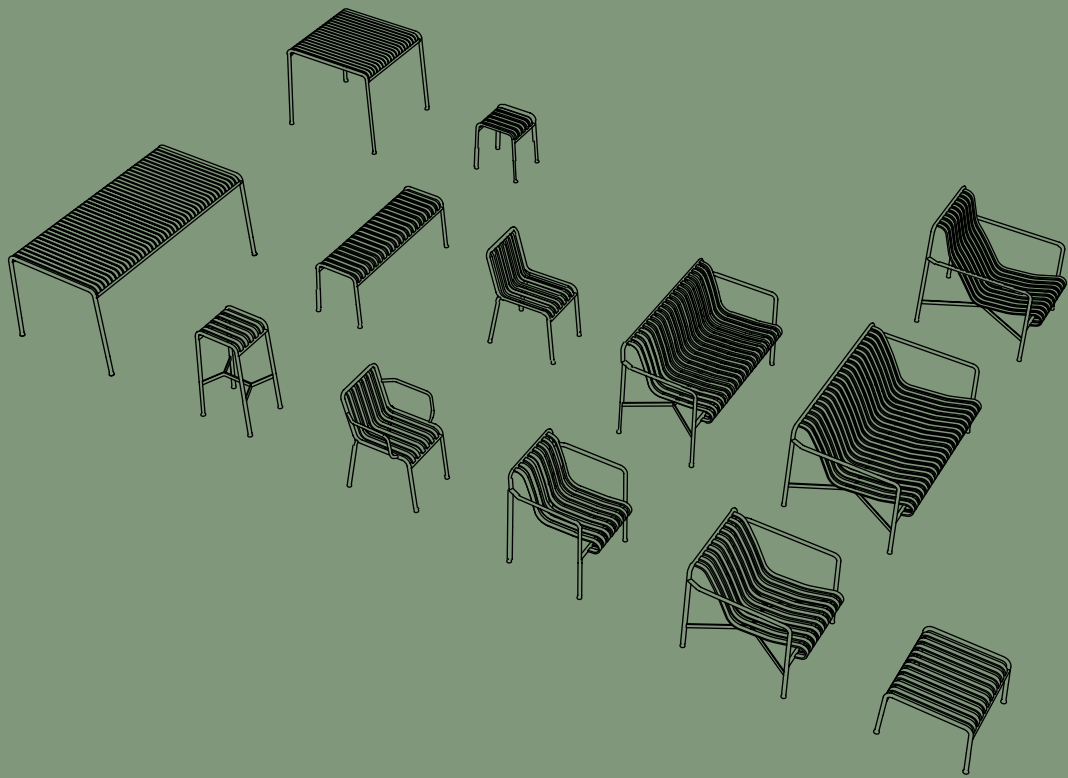


> INSTRUCTIONS MANUAL <

PALISSADE



By RONAN & ERWAN BOUROLLEC

HAY

Palissade is a collection of outdoor furniture designed by Ronan and Erwan Bouroullec for HAY.

The collection was designed to fit a wide variety of environments: cafés, restaurants, gardens, terraces and balconies.

The construction allows a wide range of typologies with a common formal language. From stools and benches to chairs and tables, lounge chairs and sofas – the collection comprises 13 different elements, united not only by their graphical image but also by their common characteristics: they are strong without being bulky, elegant without being fragile.

> CARE AND MAINTENANCE <

The products in the Palissade Collection have a two component coat primer and outdoor powder which provides a barrier to corrosive elements making it suitable for outdoor use. It is designed to last, meeting the highest quality standards making it ideal for both private and public environments.

When you move the furniture, make sure to lift it rather than pulling or pushing it, as that would damage the legs and mountings. We recommend that you tighten up the screws on the tables after one to two months' use. All products in the Palissade collection are hand crafted and minor blemishes and imperfections may be visible. These are not considered defects and do not interfere with the quality and function of the product. Minor spots of rust under the furniture and bases are considered as a natural result of general use and be treated using the care instructions below. Placement in direct seafront can lead to corrosion. Avoid improper use such as putting your feet on the table, swinging the seat on the back legs of the chair, sitting on the back or armrests and standing on it. To avoid permanent stains and scratches, use coasters under damp, hot or coloured objects. Avoid covering the furniture with a plastic tablecloth or tarpaulin and avoid contact with damp or wet objects such as flowerpots over a longer time. Always remove stains quickly before they can do any permanent damage to the tabletop. We also recommend that bird droppings are quickly cleaned off as they may lead to a permanent corrosion or staining. It is important that the furniture is wiped off if it is wet after rain or snowfall as this will damage the surface over time.

Endcaps / The endcaps are made of high-quality plastic (PPC). The durability of the glider will depend on the surface that it is placed on. We recommend that you frequently check the status of the endcaps and if worn down, contact your local retailer to buy replacements.

Stack units (on Chair and Arm Chair only) / The stack units are made of high-quality plastic (LLDPE) and are pre-mounted. If a stack unit falls off make sure to remount it or contact your local retailer to buy replacements.

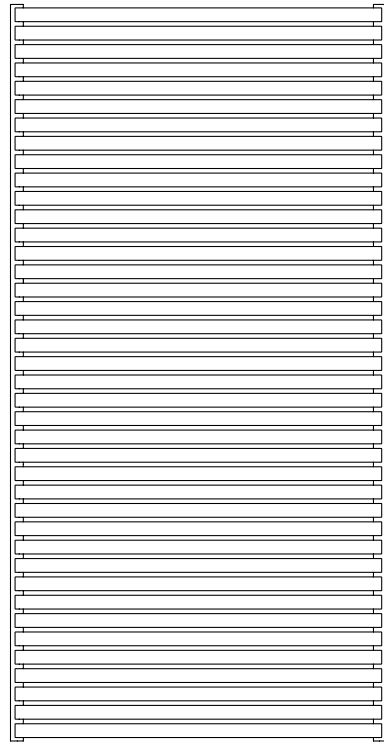
Powder coated steel / Clean with a soft cloth wrung in either clean water or a solution of water and a mild neutral detergent. Remove soap residue immediately using a clean, dry cloth. Do not use solvents as they may have an adverse effect on the coating. Avoid using scouring cream or scouring pads, as they may scratch the surface. In the event of lime deposits on the surface use a clean, damp cloth wrung in lukewarm water with one part vinegar to nine parts water and avoid scrubbing so that the surface is scratched. Never use acetic acid or citric acid. To refresh the appearance of the furniture or in the case of very dirty or aged surfaces we recommend giving it a treatment every 6 months with a liquid non-abrasive wax suitable for powder coated surfaces. Before the treatment the furniture must be cleaned according to the instructions above and afterwards apply the wax with a soft cloth. Small scratches or damage to the powder coated surfaces can lead to corrosion. They can be retouched and protected from corrosion with a special repair lacquer available at HAY stores and authorized dealers. If the metal is uncovered it is necessary to sand the area before repairing it (grain 220). Wipe it over with a clean dry cloth and clean the area with methylated spirits before repainting it.

Storage / The lifespan of your furniture will vary depending on the weather and type of use. We recommend that it is stored in a dry, ventilated place during winter and protect it against scratches and bumps. Before storing, carry out the cleaning procedures above and treat the surfaces with non-abrasive wax, using a soft cloth.

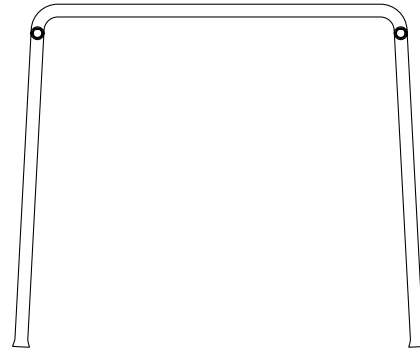
> PARTS <

1.

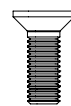
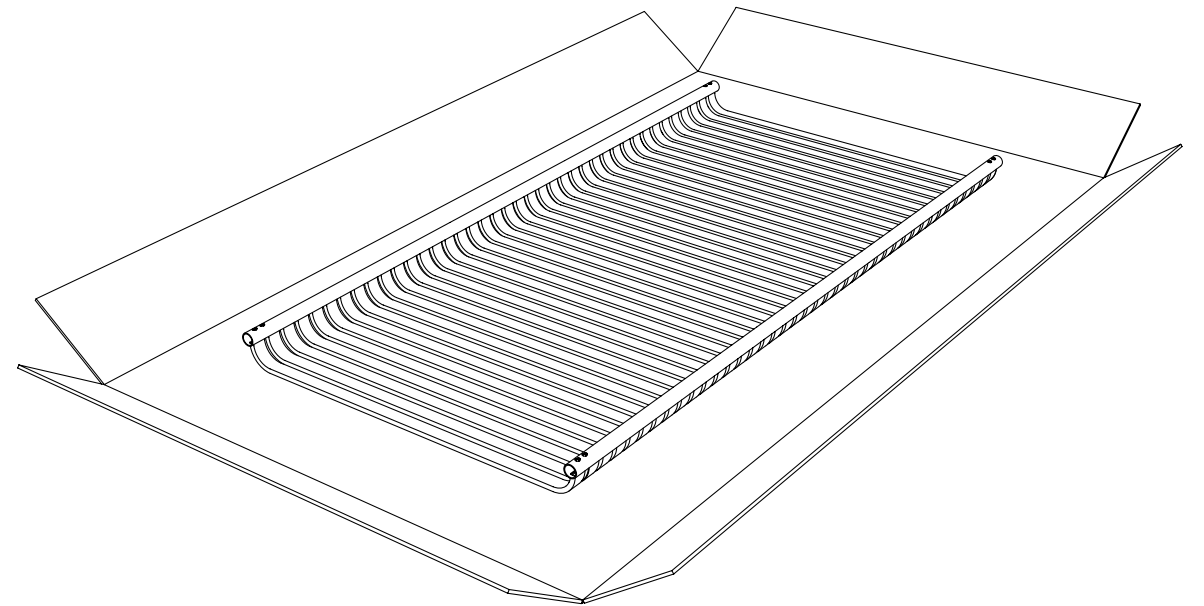
While assembling, keep the table inside the cardboard box to protect the tabletop from scratches etc. Make sure that all parts are included.



Tabletop x 1



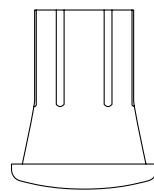
Legs x 2



Screws x 8



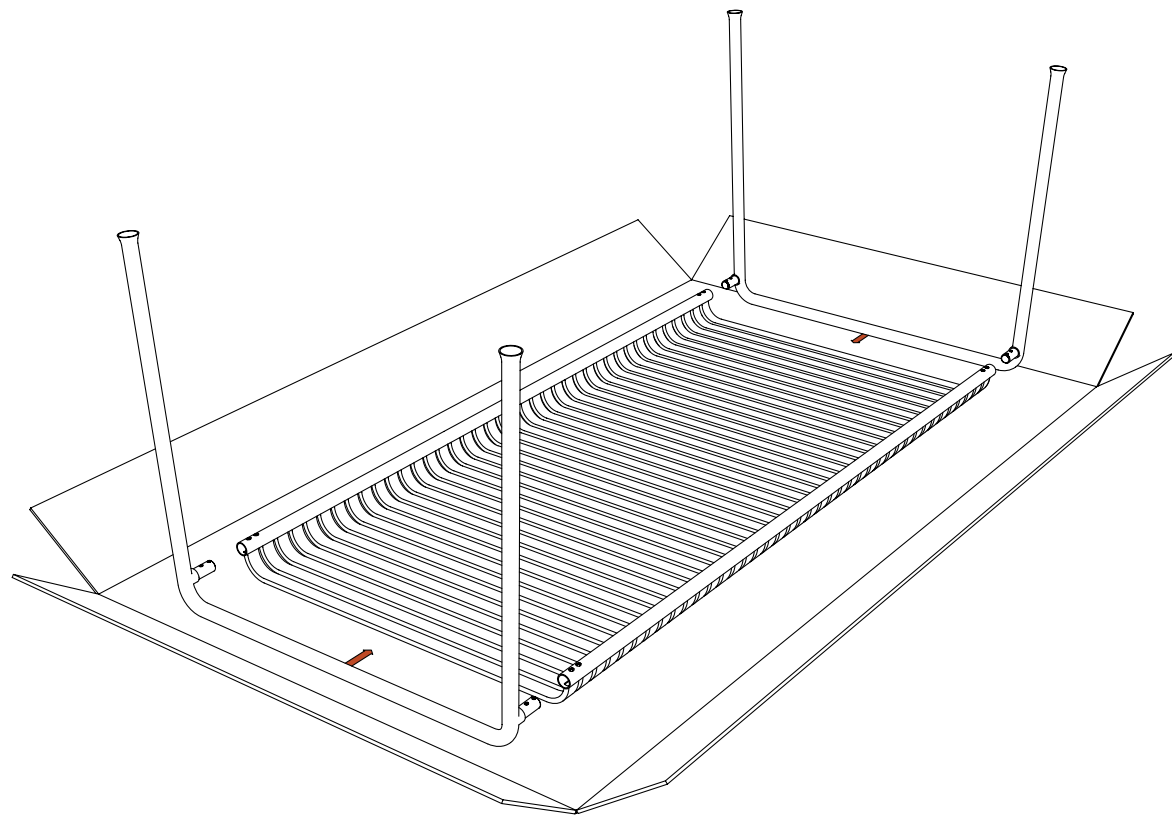
Allen key x 1



Endcaps x 4
(Premounted)

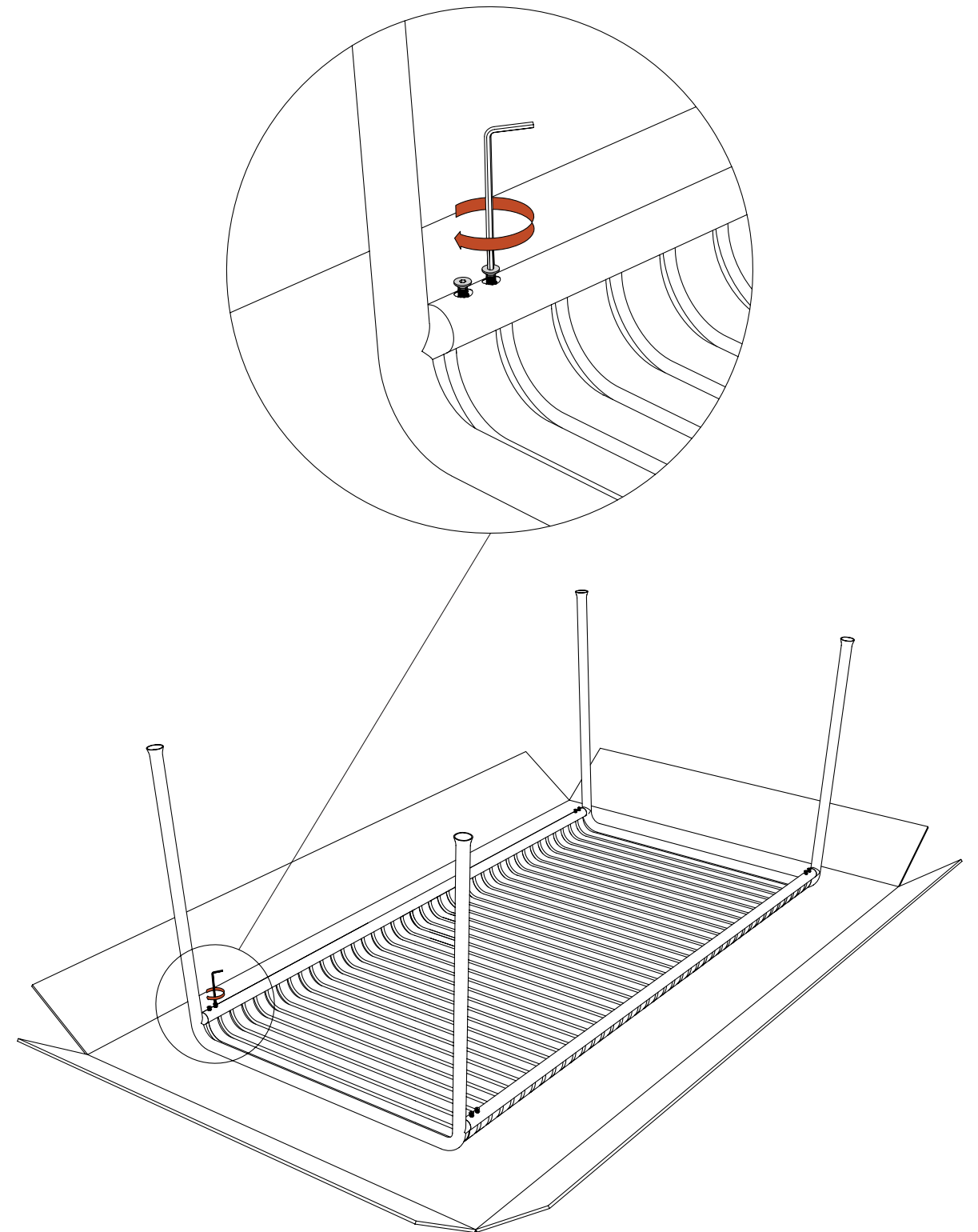
2.

Insert the leg profiles in each end of the tabletop frame.



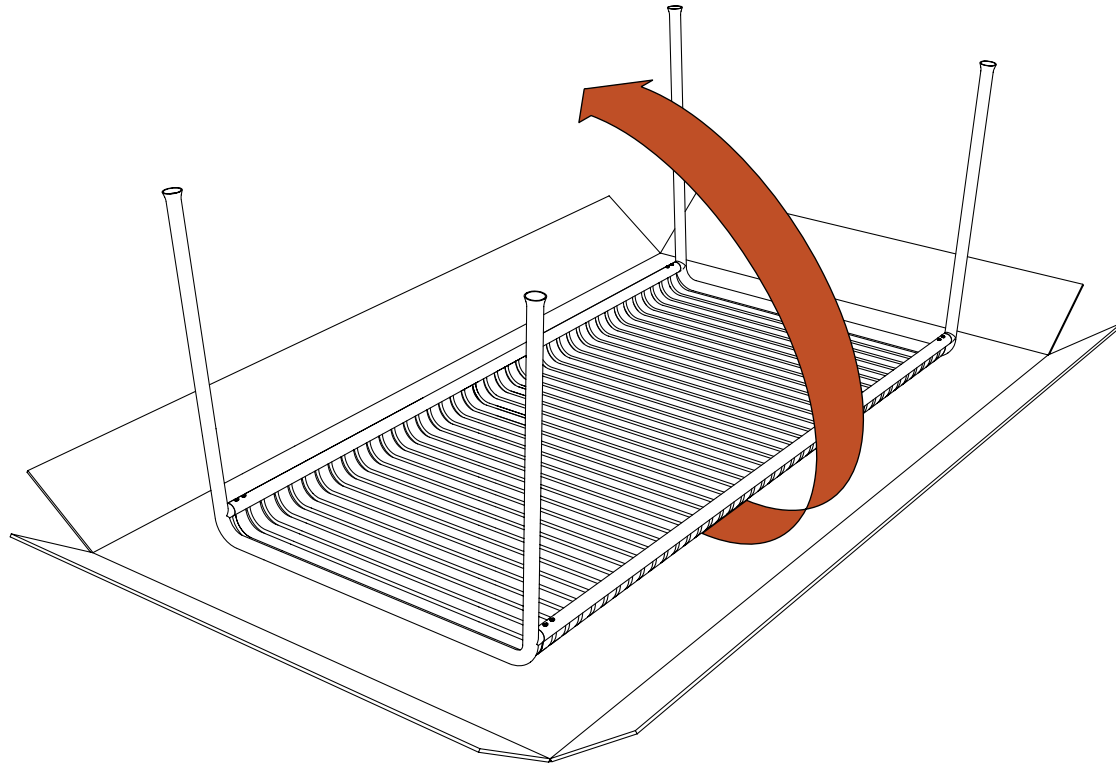
3.

Firmly secure the legs by fastening the screws with the supplied allen key.



4.

Flip the table (2 persons recommended).



5.



Havnen 1 8700 Horsens Denmark
+45 4282 0282 / hay@hay.dk

HAY