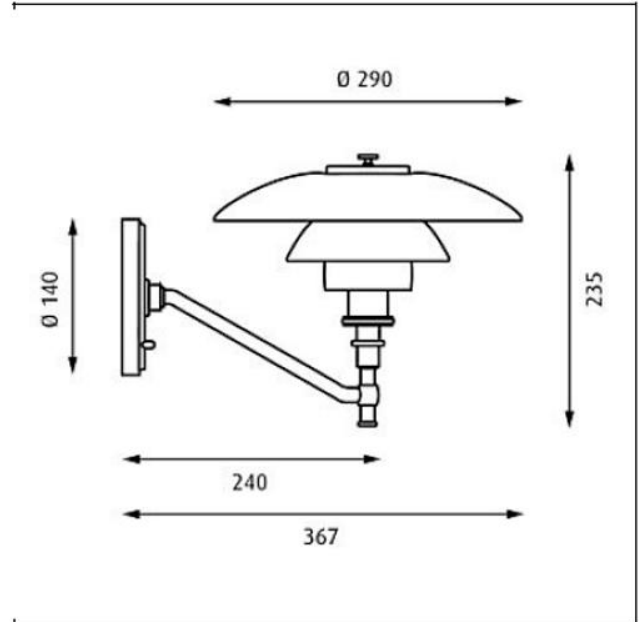


PH 3/2 Wall



- Design** Poul Henningsen
- Concept** The fixture is designed based on the principle of a reflective three-shade system, which directs the majority of the light downwards. The shades are made of mouth-blown opal three-layer glass, which is shiny on the top and sandblasted matt on the inside, giving a soft and diffuse light distribution.
- Finish** White opal glass. High lustre chrome plated.
- Material** Shades: Mouth-blown white opal glass. Top plate: High lustre chrome plated, spun brass. Wall box: High lustre chrome plated, spun brass. Arm: High lustre chrome plated, brass.
- Mounting** Cable length: 2.9m. Light control: On wall plate.
- Weight** Max. 2.5kg.
- Class** Ingress protection IP20. Electric shock protection II w/o ground.

Product Code	Light source	Finish
PH32-W	1x40W E14	WHT OPAL GLASS

Specification notes

The innovation of light sources is ongoing. Consequently we only inform about the max. wattages. On www.louispoulsen.com we update a list of recommendable light sources.