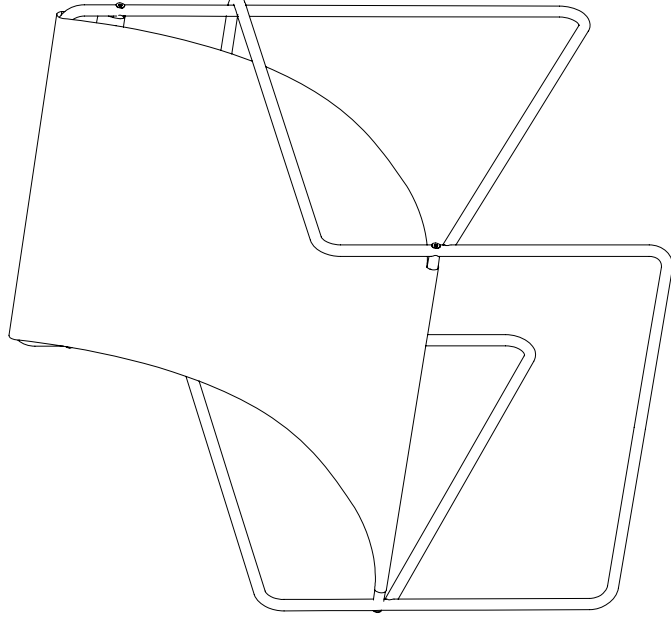


# DESERT CHAIR

---

## ASSEMBLY MANUAL

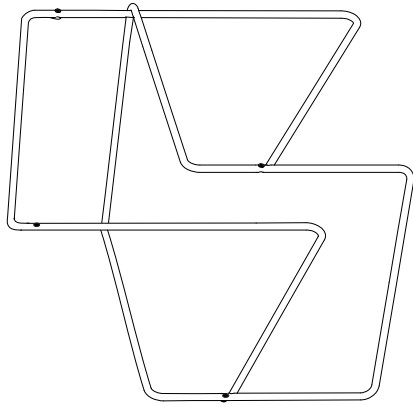


[fermliving.com](http://fermliving.com)

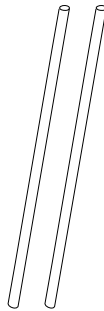
**ferm**  
L I V I N G

CONTENT OF THE BOX

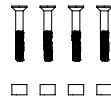
ASSEMBLY PROCESS



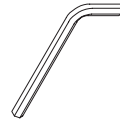
1 x frame



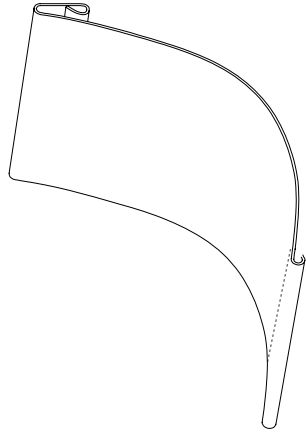
2 x bars



4 x screws



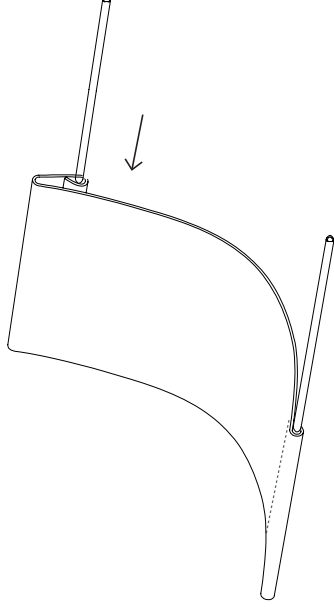
1 x hex key



1 x seat

1

Insert bars in the seat as illustrated.



Please make sure to flip the seat around the top.

2

Fasten the bars with the four screws included.

