



LUNE™

Lune™ is the very essence of a warm and cosy setting, with a dash of exclusivity and urbanity to it. Lune™ combines the renowned Republic of Fritz Hansen™ quality with a functional modular system. The result is a playful design where designer Jaime Hayon's curvy characteristics are elevated to an extremely comfortable and beautifully looking sofa from every angle - for a party of two as well as ten.



REPUBLIC OF **Fritz Hansen**®

INTRODUCING A NEW PARADIGM IN MODULAR SOFAS

Meet Lune™, Jaime Hayon's take on a modern modular sofa. The word "lune" exists only in Danish and the meaning of it is both a reference to a temperature and to a feeling of comfort. With Lune™, Jaime Hayon has taken the flexibility of a modular sofa and added an aesthetic layer to it. The result is a sofa built by several modules with the visual expression of one singular sofa.

After seven years of collaboration with Fritz Hansen, Jaime Hayon has created a design built on simplicity and urbanity with family ties to his existing pieces, Ro™ and Fri™. Combined with the quality and craftsmanship of Republic of Fritz Hansen™, Lune™ is a sofa suited for ultimate relaxation with an aesthetic appearance.

Lune™ is a modular sofa created with unlimited ways of shaping it - from a straight two-seater to bigger L-shapes and chaise lounge options.

DESIGN

Jaime Hayon, 2017.



JAIME HAYON 1974-

"Sofas tend to be presented from the front - with Lune™ I want to highlight the beauty of the profile in the way the backrest and the seat are harmonised."

Spanish artist-designer Jaime Hayon was born in Madrid in 1974. As a teenager, he submerged himself in skateboard culture and graffiti art, the foundation of the detailed, bold yet whimsical imagery so imminent in his work today.

After studying industrial design in Madrid and Paris he joined Fabrica in 1997, the Benetton-funded design and communication academy, working closely with the legendary image-maker and agitator Oliverio Toscani. In a short time he was promoted from student to head of their Design Department. Eight years later, Jaime broke out on his own, first with his collections of designer toys, ceramics and furniture, later followed by interior design and installations.

LAUNCH SPECIFICATIONS

PERIOD

Available in store from: April 1st 2017
Available to order from: January 19th 2017

LEAD TIMES

Standard configurations lead time: 5 weeks, ex-works
Customized configurations lead time: 7 weeks, ex-works

SUPPORT

Fabric samples will be available on our Partner Portal.

Lune™ will be supported on our social media and digital channels, through our newsletter and print advertising and in Republic of Fritz Hansen stores from Q2 2017.

Adbboards and Partner ads can be downloaded from the Partner Portal under Campaign Material from mid February 2017.



WARRANTY

5 years: Fabric, Legs, Cushions.
10 years: Shell.

ENVIRONMENT & TESTS

The sofa complies with the requirements to the following standards:
EN 16139 Strength, durability, stability and safety, Non domestic seating - Test Level 2; EN 1728 Strength and durability; EN 1022 Stability.

UPHOLSTERY

For Lune™ we have chosen the upholstery quite meticulously. The choice of fabric of the Designer Selections is cotton only, with the purpose of creating a comfortable seat with an exceptionally soft touch. The fabric, Linara by Romo, is a cotton-linen blend fabric; it is piece dyed meaning that colour differences can appear within batches and make each upholstery - and each sofa - a unique item. The blend of cotton and linen too causes certain visible slubs and neps to the fabric. Note that these are natural characteristics of the cotton and are not to be treated as flaws. Martindale is 36.000.

The Designer Selections are:

BLUEBERRY

Fabric: Linara 2494/198



EUCALYPTUS

Fabric: Linara 2494/324



GINGERSNAP

Fabric: Linara 2494/118



GREY MIST

Fabric: Linara 2494/340



INDIGO

Fabric: Linara 2494/30



LEAD

Fabric: Linara 2494/237



Lune™ is also available in a wide range of standard fabrics.

BASE

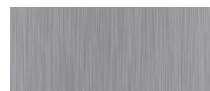
Oak



Black Coloured Oak



Brushed Aluminium



The Oak wood on the base is FSC Certified.

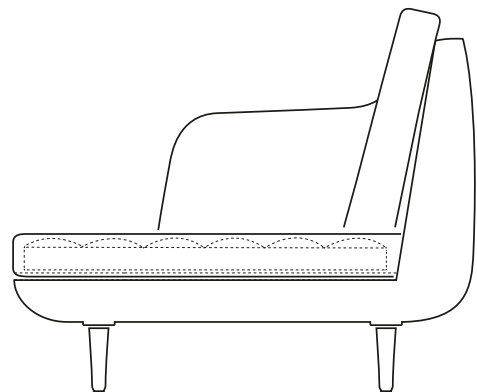


CUSHIONS AND FOAM

The main characteristic of Lune™ is its comfort. This feature has been enhanced not only in the choice of the cotton fabric, but also in the way the sofa is constructed.

In order to provide the best seating feeling, the cushions are made of four layers of materials: A layer of support webbing at the bottom, the cushion foam in the middle and a layer of feathers made of duck and goose on top of it, all covered by the upholstered fabric.

When seated, one feels the comfort and softness of the material instantly, as the cushions shape with the body seated on it. This characteristic of comfort will cause the cushions to remain shaped when getting up from the sofa - with a quick tap or two, the sofa will return to its original expression.



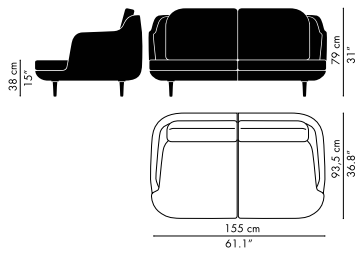
ASSEMBLY

As the modular sofa Lune™ is, assembling has been thought through to be easy and smooth and to be performed in any environment, including only few tools. The modules are provided with a keyhole and a corresponding pre-mounted and adjusted screw which links the top of the modules together with an assembly bracket to secure the modules underneath. Furthermore, thanks to the predrilled holes and embedded screws, the legs can be mounted and dismantled quickly.

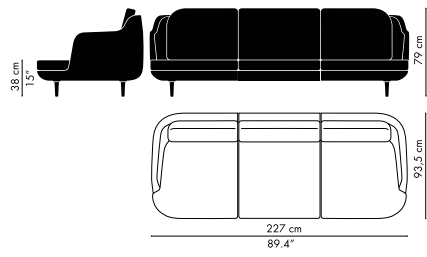
Assembly guidelines will be included in the packaging.



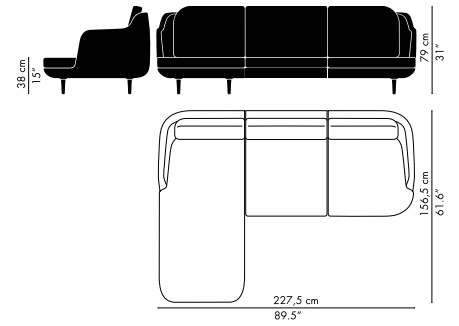
JH200



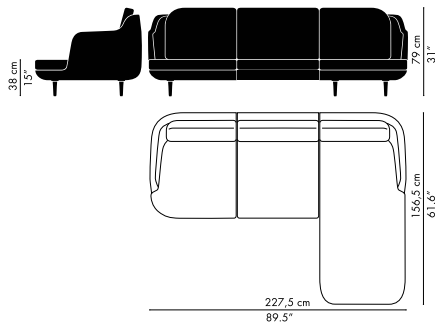
JH300



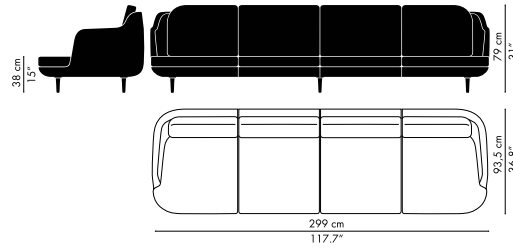
JH301



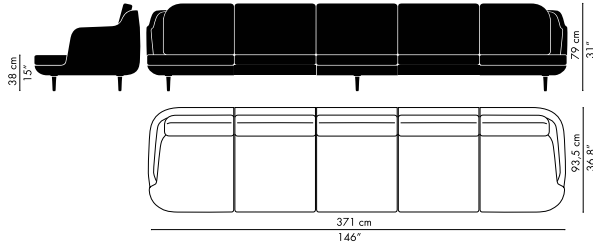
JH302



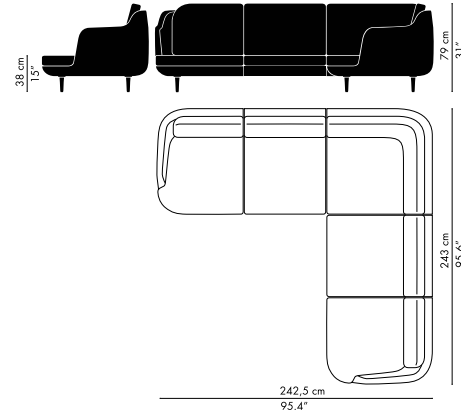
JH400



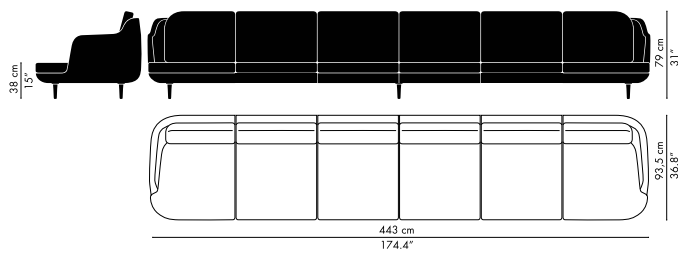
JH500



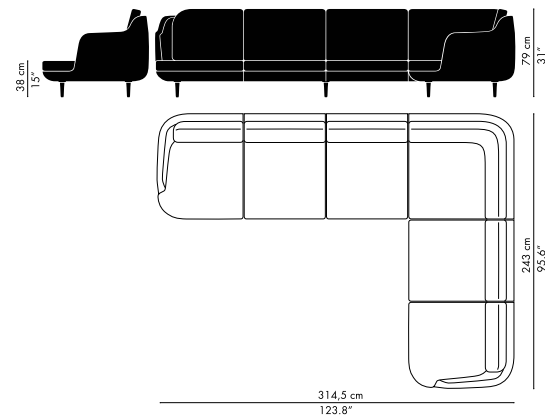
JH510



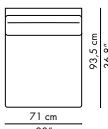
JH600



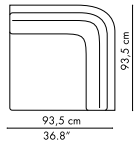
JH610



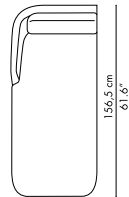
JH001



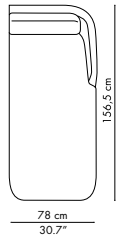
JH003



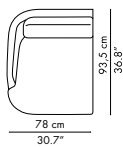
JH004L



JH004R



JH002L



JH002R

