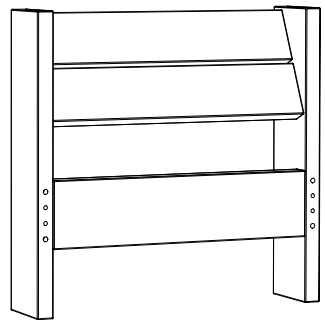
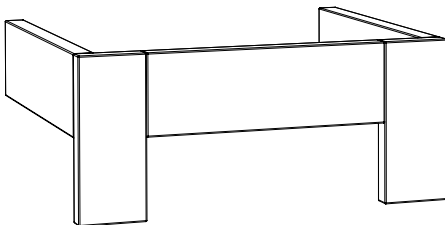
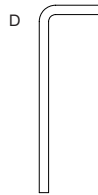
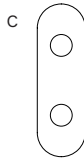
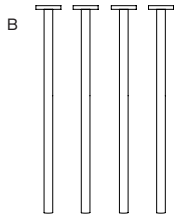
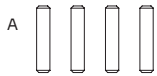


Icon Lounge Chair

Assembly guide

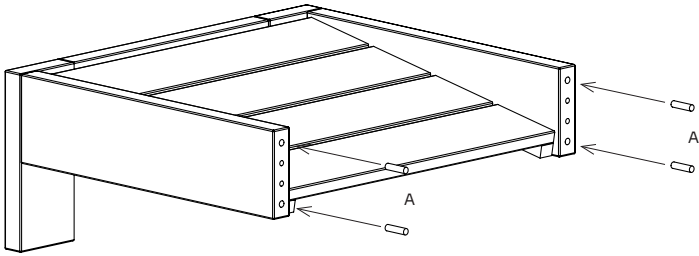
Components

Place the components on a blanket to avoid scratches on the floor and on the product.



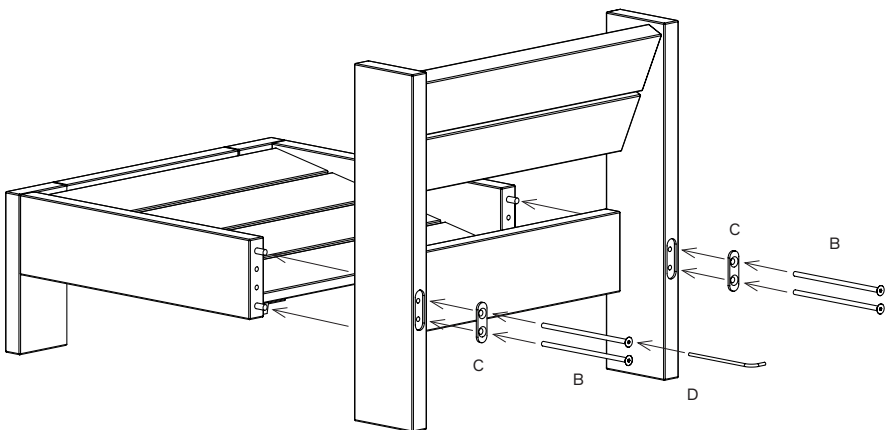
Step 1

Insert the dowels (A) into the outermost holes in the back frame.



Step 2

Secure the front frame using the fitting (C), the screws (B) and the allen key (D).



Step 3

Now fit the textile covers onto the supplied cushions and place them in the furniture, which is now fully assembled.

Important: Screws may loosen over time due to use or vibration. Check and tighten them regularly to maintain stability. We recommend re-tightening (but not over-tightening) the screws approximately every six months. This helps your furniture stay stable and maintain its quality for years to come.

