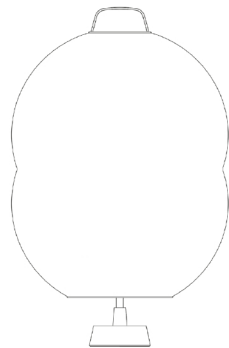


HOTARU

ほたる

Mini Base

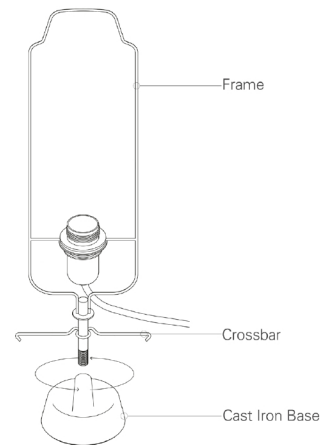
Designed by Edward Barber & Jay Osgerby
Produced by twentytwentyone



Step 1

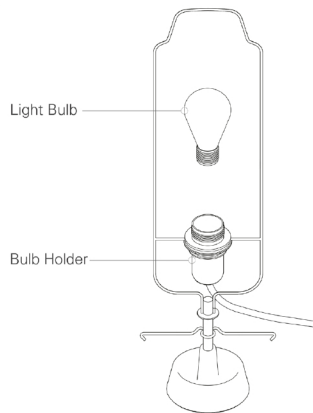
Screw the cast iron base into the frame.

⚠ Ensure the crossbar tips are pointing downwards.



Step 2

Screw in the bulb.



Step 3

Put the paper lantern onto the frame.

Engage the crossbar with the rings at the bottom.

