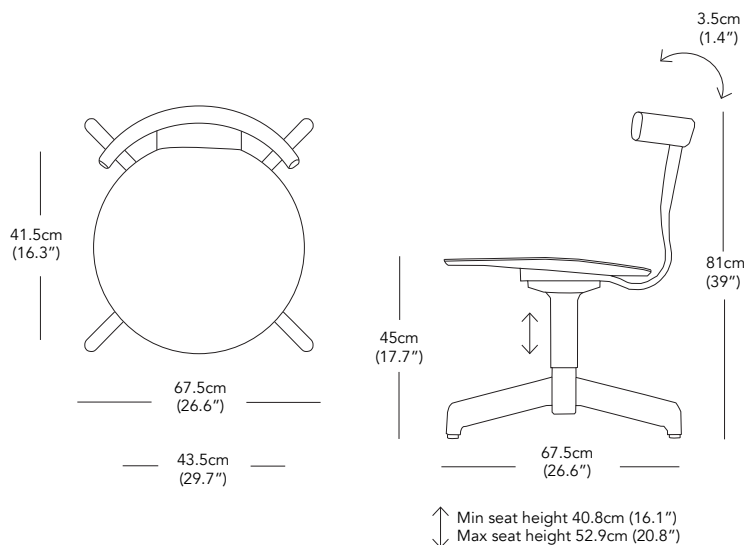


Resident Jiro Swivel Chair

Designer- John Tree / 2020



PRODUCT DESCRIPTION

Work Chair

PRODUCT CODE

- JIR001NW - Jiro Swivel Chair, Natural, White Base
- JIR001NB - Jiro Swivel Chair, Natural, Black Base
- JIR001BW - Jiro Swivel Chair, Black, White Base
- JIR001BB - Jiro Swivel Chair, Black, Black Base

MATERIALS

Oak Veneer, Cast Aluminium

COLOUR OPTIONS

- Natural Seat and Back with White Stem and Base
- Natural Seat and Back with Black Stem and Base
- Black Seat and Back with White Stem and Base
- Black Seat and Back with Black Stem and Base

PRODUCT ENVIRONMENT

Indoor Use Only

APPROPRIATE FOR HARD CONTRACT USE

Yes

WARRANTY

5 Years

www.resident.co.nz/downloads
www.resident.co.nz/assistance

PACKAGED DIMENSIONS

1 per box

L W H

53 x 53 x 80cm
20.9 x 20.9 x 31.5 "

PACKAGED WEIGHT

9.5 kg 0.22 m³
20.9 lbs 10.67 ft³

PRODUCT WEIGHT

7.5 kg
16.3 lbs

CUSTOMISATION

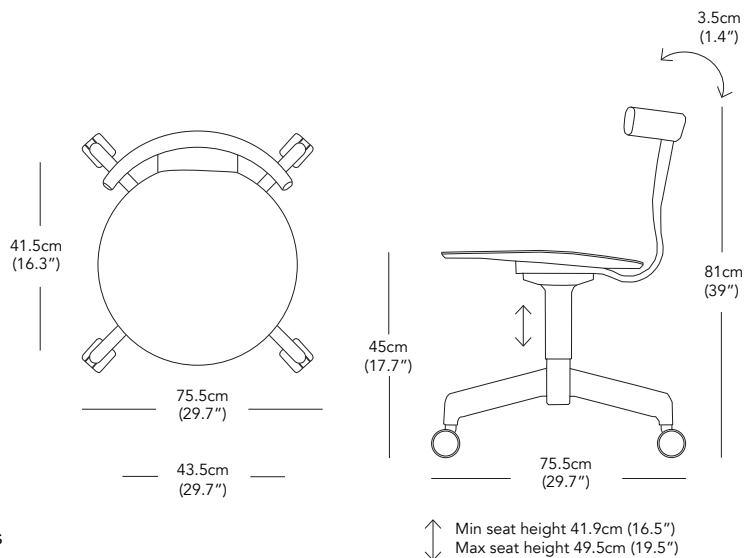
Please email sales@resident.co.nz for enquiries

Resident

Jiro Swivel Chair

with Casters

Designer- John Tree / 2020



PRODUCT DESCRIPTION

Work Chair

PRODUCT CODE

JIR001NWC - Jiro Swivel Chair, Natural, White Base with Casters

JIR001NBC - Jiro Swivel Chair, Natural, Black Base with Casters

JIR001BWC - Jiro Swivel Chair, Black, White Base with Casters

JIR001BBC - Jiro Swivel Chair, Black, Black Base with Casters

MATERIALS

Oak Veneer, Cast Aluminium, Plastic

COLOUR OPTIONS

Natural Seat and Back with White Stem and Base

Natural Seat and Back with Black Stem and Base

Black Seat and Back with White Stem and Base

Black Seat and Back with Black Stem and Base

PRODUCT ENVIRONMENT

Indoor Use Only

APPROPRIATE FOR HARD CONTRACT USE

Yes

WARRANTY

5 Years

www.resident.co.nz/downloads

www.resident.co.nz/assistance

PACKAGED DIMENSIONS

1 per box

L W H

53 x 53 x 80cm

20.9 x 20.9 x 31.5 "

PACKAGED WEIGHT

10 kg

0.22 m³

22.1 lbs

7.94 ft³

PRODUCT WEIGHT

8 kg

17.6 lbs

CUSTOMISATION

Please email sales@resident.co.nz for enquiries