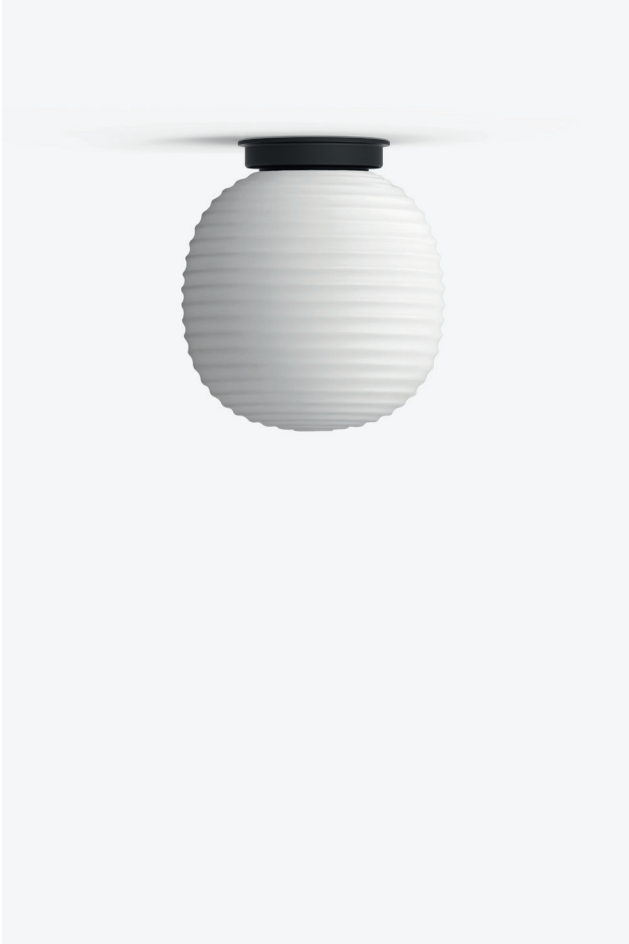


NEW WORKS.

Product Fact Sheet - Lighting - Lantern Ceiling Lamp, Small



Lantern Ceiling Lamp, Small *Anderssen & Voll*

Expanding into every aspect of the contemporary interior, the Lantern Wall Lamp and Lantern Globe (ceiling) Lamp complete this iconic series. Both lamps feature a simple black steel support and fixing that allows the soft illumination of the rippled glass globe to shine brightest. Inspired by traditional Chinese rice paper lanterns, these additions allow you to take the series into all corners of the home – from bedside to the entry, kitchen to the reading room.

About the designer Anderssen & Voll

Established in 2009, Anderssen & Voll create desirable and ground-breaking objects for the home environment. An approach shaped by their previous roles within pioneering Norwegian firm Norway Says, with Torbjørn Anderssen and Espen Voll being founders and running partners. Their interest in cultural forms can be seen within their elegant and understated pieces for some of Europe's most renowned brands.

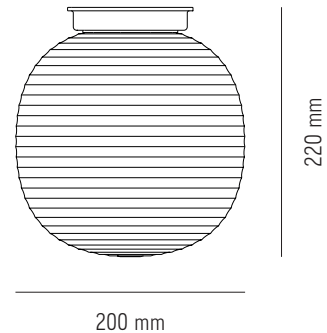
Ean No	Item No	Variation
5712826206133	20613	Black Base w. Frosted White Opal Glass

NEW WORKS.

Product Fact Sheet - Lighting - Lantern Ceiling Lamp, Small

Specifications

Product Name	Lantern Ceiling Lamp, Small
Designer	Anderssen & Voll
Year	2019
Category	Lighting
Type	Ceiling Lamp
Material	Frosted opal glass w. powder coated steel base
Colour/Variant	Frosted white w. black base
Product Dimensions	H: 220 x Ø: 200 mm
Packaging Dimensions	H: 270 x W: 430 x D: 310 mm
Cord	Hardwired
Weight	1,9 kg
Weight (incl. Packaging)	2,3 kg
Light Source	E14, Max 25W / LED Max 7W 220-240V~ 50/60Hz
Bulb	Not Included
Certification	CE, Class II, IP20
County of origin	China
Master packaging	1



Cleaning & Care Guide

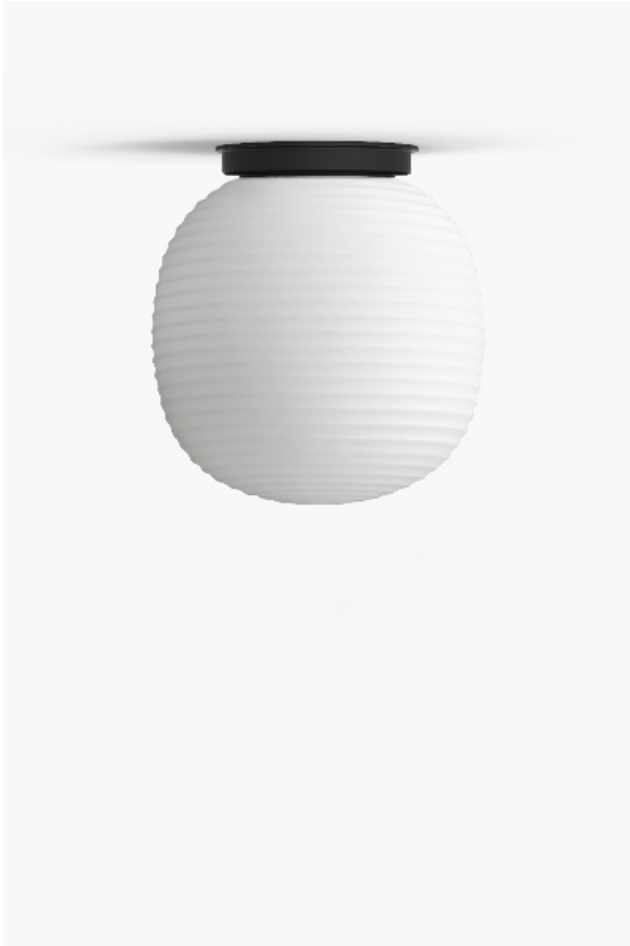
Turn off the electricity before cleaning the lamp. Wipe the glass shade with a soft dry or moist cloth. Do not use any abrasive cleaning tools, and never use strong cleaning agents such as household glass cleaner, white spirit, turpentine.

Safety Precautions

The lamp is only intended for indoor use, and consult a professionally qualified electrician if any doubt. Only use approved light bulb and following guidance - 220-240V~ 50/60Hz, E14, Max 25W / LED Max 7W. The light bulb and lamp exterior gets hot after prolonged use.

NEW WORKS.

Product Fact Sheet - Lighting - Lantern Ceiling Lamp, Medium



Lantern Ceiling Lamp, Medium *Anderssen & Voll*

Expanding into every aspect of the contemporary interior, the Lantern Wall Lamp and Lantern Globe (ceiling) Lamp complete this iconic series. Both lamps feature a simple black steel support and fixing that allows the soft illumination of the rippled glass globe to shine brightest. Inspired by traditional Chinese rice paper lanterns, these additions allow you to take the series into all corners of the home – from bedside to the entry, kitchen to the reading room.

About the designer Anderssen & Voll

Established in 2009, Anderssen & Voll create desirable and ground-breaking objects for the home environment. An approach shaped by their previous roles within pioneering Norwegian firm Norway Says, with Torbjørn Anderssen and Espen Voll being founders and running partners. Their interest in cultural forms can be seen within their elegant and understated pieces for some of Europe's most renowned brands.

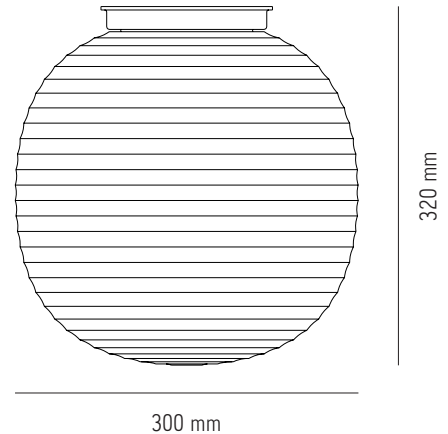
Ean No	Item No	Variation
5712826206232	20623	Black Base w. Frosted White Opal Glass

NEW WORKS.

Product Fact Sheet - Lighting - Lantern Ceiling Lamp, Medium

Specifications

Product Name	Lantern Ceiling Lamp, Medium
Designer	Anderssen & Voll
Year	2019
Category	Lighting
Type	Ceiling Lamp
Material	Frosted opal glass w. powder coated steel base
Colour/Variant	Frosted white w. black base
Product Dimensions	H: 230 x Ø: 300 mm
Packaging Dimensions	H: 320 x W: 540 x D: 410 mm
Cord	Hardwired
Weight	1,9 kg
Weight (incl. Packaging)	4,4 kg
Light Source	E27 Max 60W / LED Max 11W (220-240V~ 50/60 Hz)
Bulb	Not Included
Certification	CE, Class II, IP20
County of origin	China
Master packaging	1



Cleaning & Care Guide

Turn off the electricity before cleaning the lamp. Wipe the glass shade with a soft dry or moist cloth. Do not use any abrasive cleaning tools, and never use strong cleaning agents such as household glass cleaner, white spirit, turpentine.

Safety Precautions

The lamp is only intended for indoor use, and consult a professionally qualified electrician if any doubt. Only use approved light bulb and following guidance - 220-240V~ 50/60Hz, E27 Max 60W / LED Max 11W. The light bulb and lamp exterior gets hot after prolonged use.