

Everyday Chair

Congrats on your new Everyday Chair!

We hope that you are going to be happy with your new Everyday Chair for many years to come. The Everyday Chair is a stackable wooden chair, designed to suit any space and made for the every day.

Light, durable, and versatile, it's well-suited for dining, working, or use in larger settings. It arrives flat packed and assembles with ease, with fittings tucked neatly beneath the seat to maintain a clean, screwless expression. Built from solid wood and shaped plywood, it balances function and form with quiet clarity. Made in Europe. FSC certified. Available in natural and coloured finishes.

Assembly:

Please see the following assembly instructions or find them at www.moebe.dk

Taking care of your chair:

If you need to clean your chair do so with a damp cloth using a mild detergent if needed. Do not leave your chair wet or soaked for longer periods of time and always remember to dry it off after cleaning.

5 Year Warranty

We believe in what we do and in the quality of our products. That's why we give you a 5 year warranty. This guarantee covers any functional, material or manufacturing defect on any product you buy from us for private use.

Safety and durability

The durability and safety of the chair has been tested by the Danish Technological Institute according to the European standard for chair EN16139:2013, L1 and has passed this test.

Spare parts – Keep it going forever

All our products are component based and have been designed this way to make repairs simple. You can find and purchase all spare parts for your product on www.moebe.dk for a period of at least 5 years after your purchase. It should always be cheaper and easier to repair, than buying new.

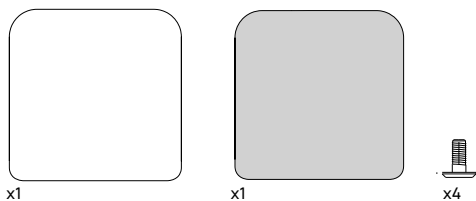
Recycling

Whilst we hope that your MOEBE Everyday Chair will serve you well for many years to come, if you do at some point wish to recycle it then it is easy to do so. Simply split the product down into its separate parts and recycle them by material.

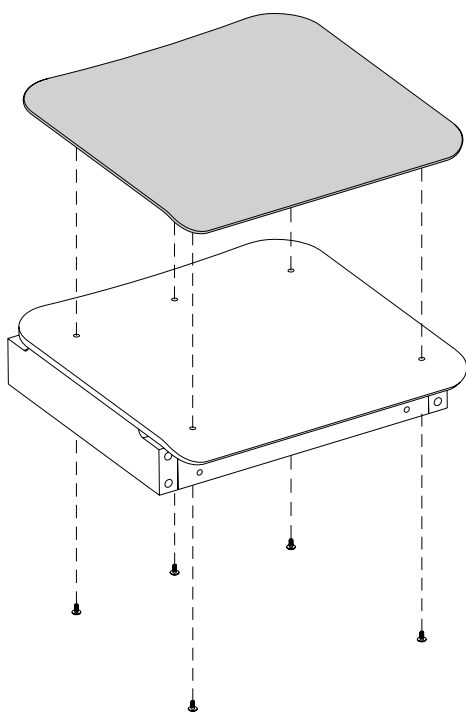
All parts can be recycled. How this is done depends on local regulations and facilities.



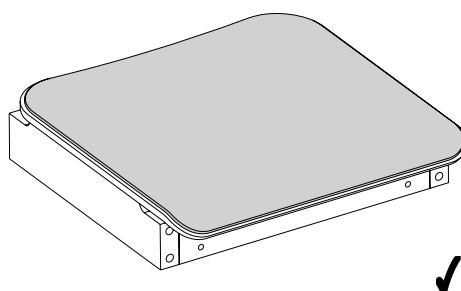
Upholstered Seat



1



2





Everyday Chair

