

# Mirror With A Shelf

## **Congrats on your new Mirror With A Shelf!**

We hope very much that you are going to be happy with your new Mirror With A Shelf for many years to come. In the following pages you will find out how to assemble and look after your new home accessory.

## **Product Description**

It is made from two wooden lists, a sheet of mirrored glass, and an oak plate with a shelf. It fits perfectly at home in a hallway, a living room, or a bedroom – it's designed to be exactly what you need it to be, where you need it to be.

## **Assembly**

Please see the following assembly instructions or find them at [www.moebe.dk](http://www.moebe.dk)

## **Taking care of your new Mirror With A Shelf**

Dust with a soft, dry cloth. For deeper cleaning, wipe with a damp cloth and mild soap. Wipe off any liquid on the surface to prevent stains.

## **5 Year Warranty**

We believe in what we do and in the quality of our products. That's why we give you a 5 year warranty. This guarantee covers any functional, material or manufacturing defect on any product you buy from us for private use.

## **Spare parts – Keep it going forever**

All our products are component based and have been designed this way to make repairs simple. You can find and purchase all spare parts for your product on [www.moebe.dk](http://www.moebe.dk) for a period of at least 5 years after your purchase. It should always be cheaper and easier to repair, than buying new.

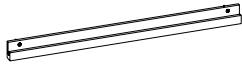
## **Recycling**

Whilst we hope that your MOEBE Mirror With A Shelf will serve you well for many years to come, if you do at some point wish to recycle it then it is easy to do so. Simply split the product down into its separate parts and recycle them by material.

All parts can be recycled. How this is done depends on local regulations and facilities.



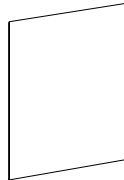
## Mirror With A Shelf



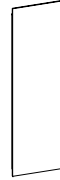
2x



1x



1x

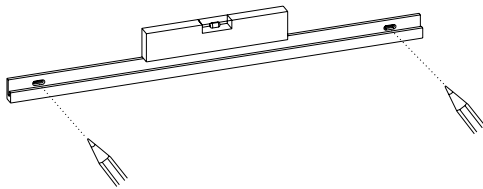


1x

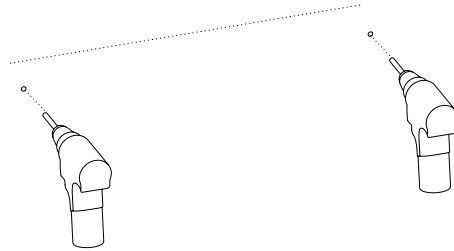


x4

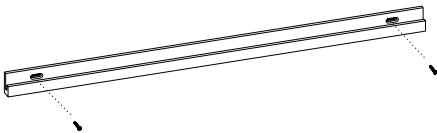
1



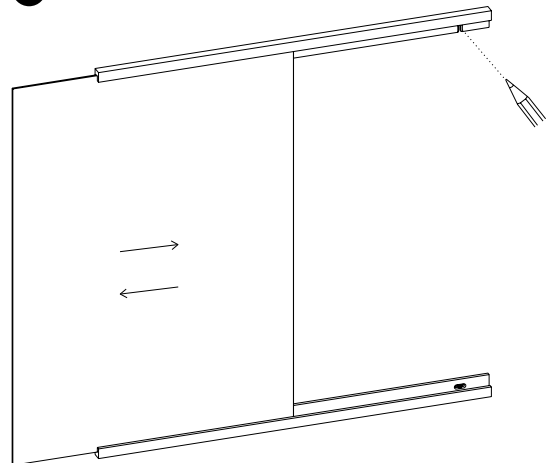
2



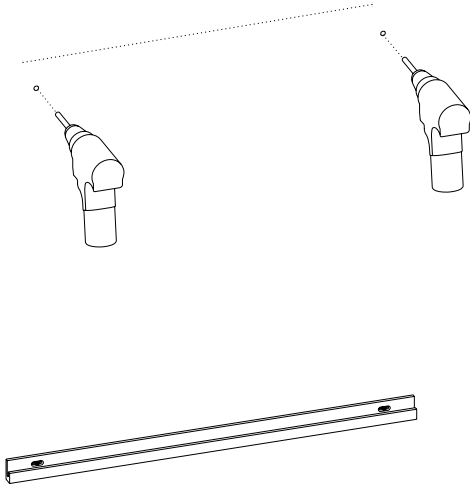
3



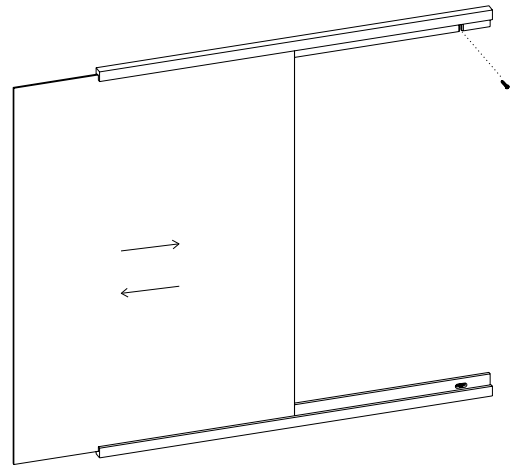
4



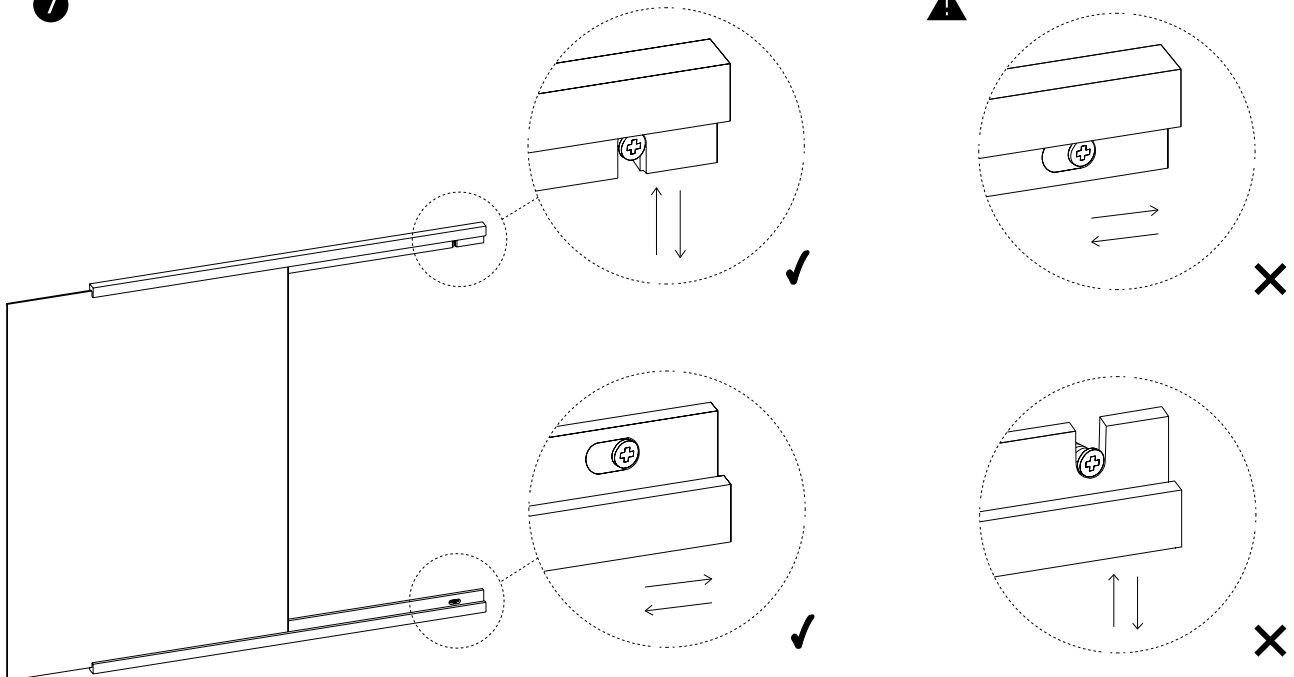
5



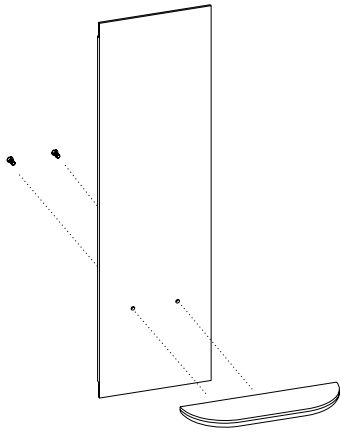
6



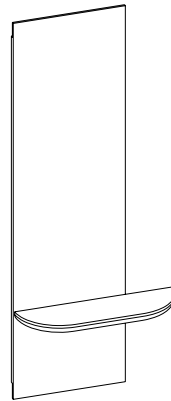
7



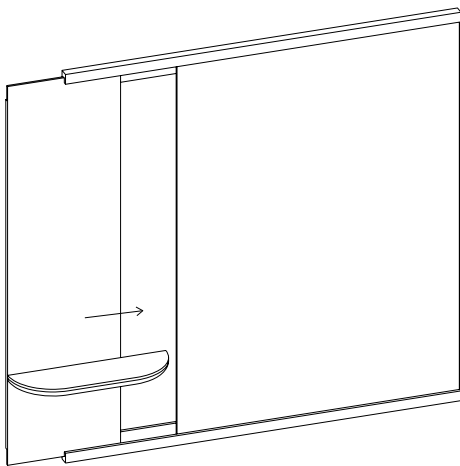
8



9



10



11

