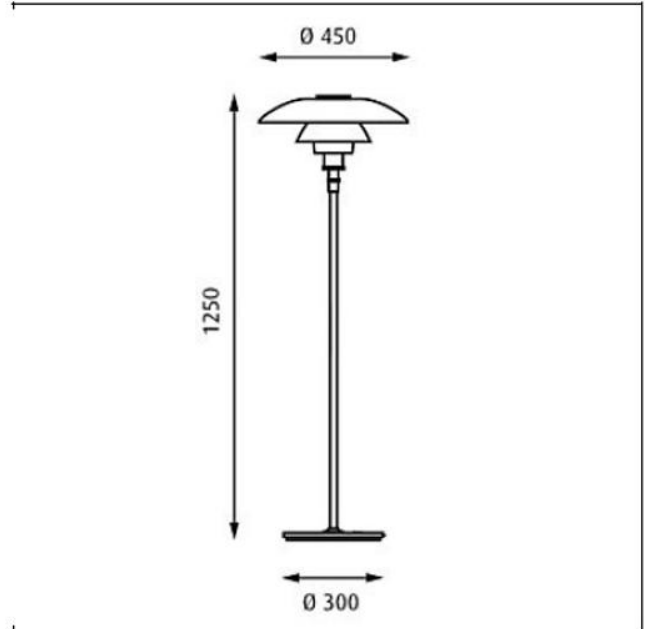


PH 4½-3½ Glass Floor



- Design** Poul Henningsen
- Concept** The fixture is designed based on the principle of a reflective three-shade system, which directs the majority of the light downwards. The shades are made of mouth-blown opal three-layer glass, which is glossy on top and sandblasted matt on the underside, giving a soft and diffuse light distribution.
- Finish** High lustre chrome plated. White opal glass.
- Material** Shades: Mouth-blown white opal glass. Anti glare ring: Purple, spun aluminium. Top plate: High lustre chrome plated, spun brass. Base: High lustre chrome plated, spun brass. Stem: High lustre chrome plated, steel.
- Mounting** Cable type: Plastic cord with plug. Cable length: 3.3m. Light control: On/off switch on cord.
- Weight** Max. 15kg.
- Class** Ingress protection IP20. Electric shock protection II w/o ground.

Product Code	Light source	Finish	Switch/Plug
PH4.5-F	1x150W E27	HIGH LUSTRE CHROME PLATED	W/ON/OFF SWITCH