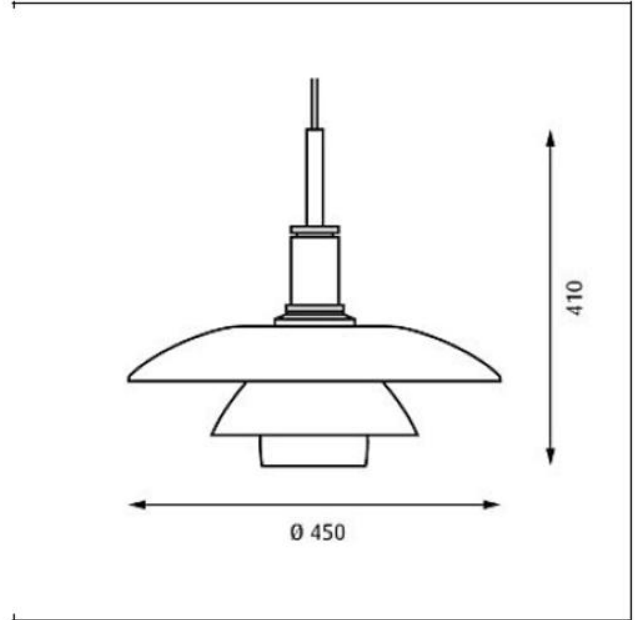


PH 4½-4 Glass Pendant



- Design** Poul Henningsen
- Concept** The fixture is designed based on the principle of a reflective three-shade system, which directs the majority of the light downwards. The shades are made of mouth-blown opal three-layer glass, which is glossy on top and sandblasted matte on the underside, giving a soft and uniform light distribution.
- Finish** High lustre chrome plated. White opal glass.
- Material** Shades: Mouth-blown matt white opal glass. Anti-glare disc: Purple, spun aluminium. Suspension: High lustre chrome plated, extruded aluminium.
- Mounting** Suspension type: Cable 3x0,75mm² & wire. Canopy: Yes. Cable length: 3m.
- Weight** Max. 3.5kg.
- Class** Ingress protection IP20. Electric shock protection I w. ground.

Product Code	Light source	Finish	Cable type
PH4.5G-P	1x150W E27	HIGH LUSTRE CHROME PLATED	BLK TEX/WIRE