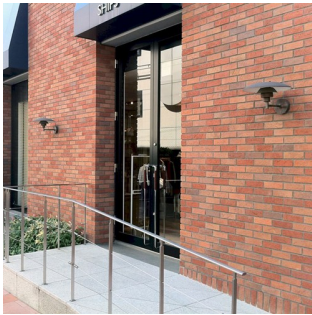


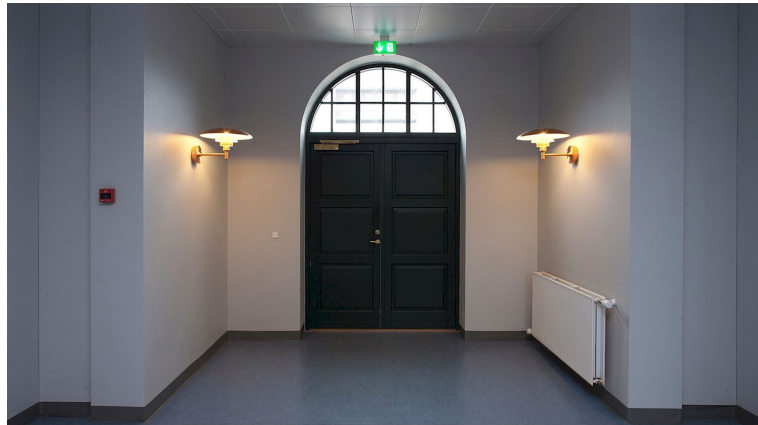
# PH Wall

PH Wall - 5743142880

The fixture is designed based on the principle of a reflective three-shade system, which directs the light downwards. The shades have a matt white painted inside to ensure diffused, comfortable light distribution.



**Osaka Abeno  
District Town  
Development**



**Esbjerg Sygehus**

## Product info

### Information

Please note that the copper surface is untreated in order to achieve a verdigris finish over time. This can result in an inconsistent surface finish prior to the product achieving full patina. This process might have begun already during stocking/ transportation.

### Mounting

Terminal block: 1x3x2.5mm<sup>2</sup>. Cable entries: 2x bottom + 2x rear entries for Ø 10-14.5mm cable or 2x rear entries for Ø 10-14.5mm cable. Looping: Approved, max. 3x1.5mm<sup>2</sup>.

### Finish

Copper, brushed.

### Materials

Shades: Spun copper. Wall box: Spun copper. Arm: Copper.

### Sizes and weights

Width x Height x Length (mm) | 450 x 290 x 505 Max 6.8 kg

### Class

Ingress protection IP23. Electric shock protection I w. ground.

### Specification notes

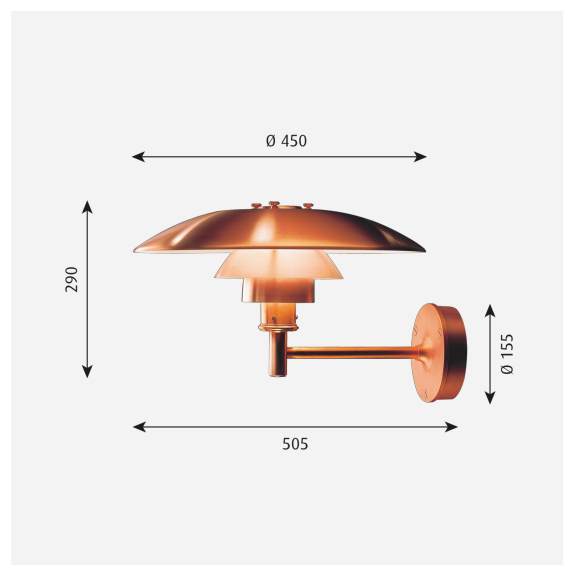
The innovation of light sources is ongoing. Consequently we only inform about the max. wattages. On [www.louispoulsen.com](http://www.louispoulsen.com) we update a list of recommendable light sources.

### Light source

1x100W E27

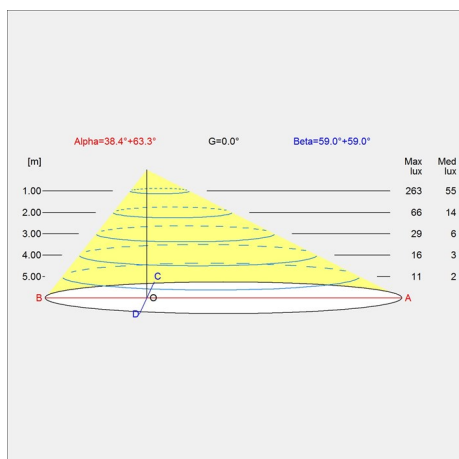
### Information

Please note that the copper surface is untreated in order to achieve a verdigris finish over time. This can result in an inconsistent surface finish prior to the product achieving full patina. This process might have begun already during stocking/ transportation.

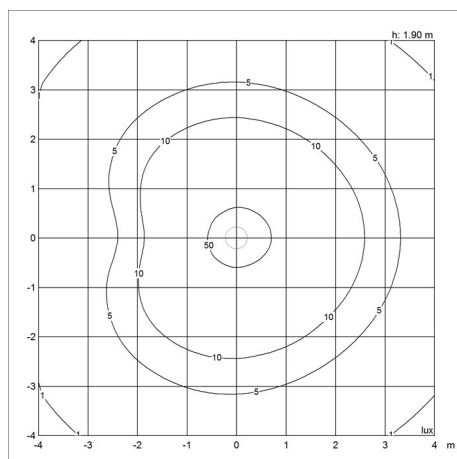


# Light distribution diagrams

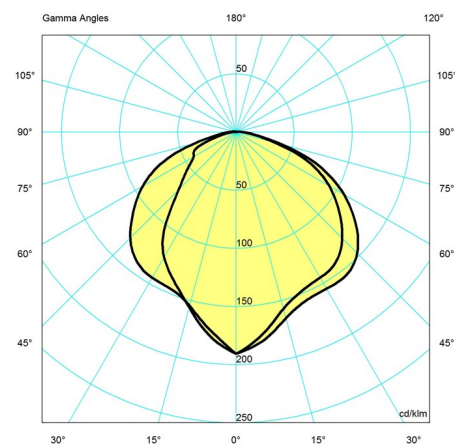
Cartesian



Isolux



Polar



## Spare parts & accessories

**Product**

PH Wall finger screw+washer  
Anti-Theft screws 3 pcs M8X20 copper

**Variant number**

5743590432  
5747293476

## Data specifications

Colour	<b>Brushed copper</b>
Width	<b>450</b>
IP class	<b>23</b>
Class	<b>I</b>
Wind Load (m2)	-
Power Factor (P = 100 % / P = 50 %)	-
Light source	<b>1x100W E27</b>
CRI	-

Length	<b>505</b>
Height	<b>290</b>
IK class	-
Net Weight	<b>6.8</b>
Standby (W)	-
Inrush Current	-
Kelvin	-
SDCM	-

**PH Wall**

Lumen	-
Efficacy	-
Min. Dim Level (%)	-
BUG Rating	<b>B0 U1 G0</b>
Driver life	-

Watt	-
Light control	-
Surge Protection	-
L80B50 (hours)	-