

Passenger Chair



Simon James | 2022

A modern take on the original safari chair, the Passenger Chair blends its timber joinery with subtle connection points throughout the frame.

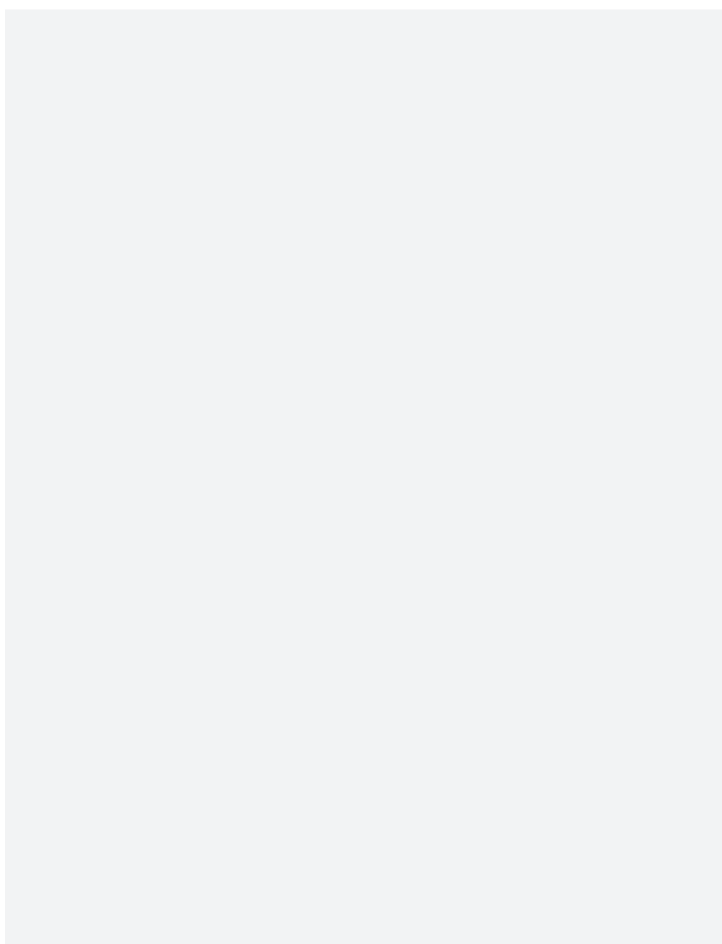
Saddle leather offers forgiveness to the seat which will add character and warmth over time.

This timeless profile will suit both commercial and residential environments that require a dining chair with arms for further exit support. The arms were designed intentionally slightly lower to allow for location under most tables.

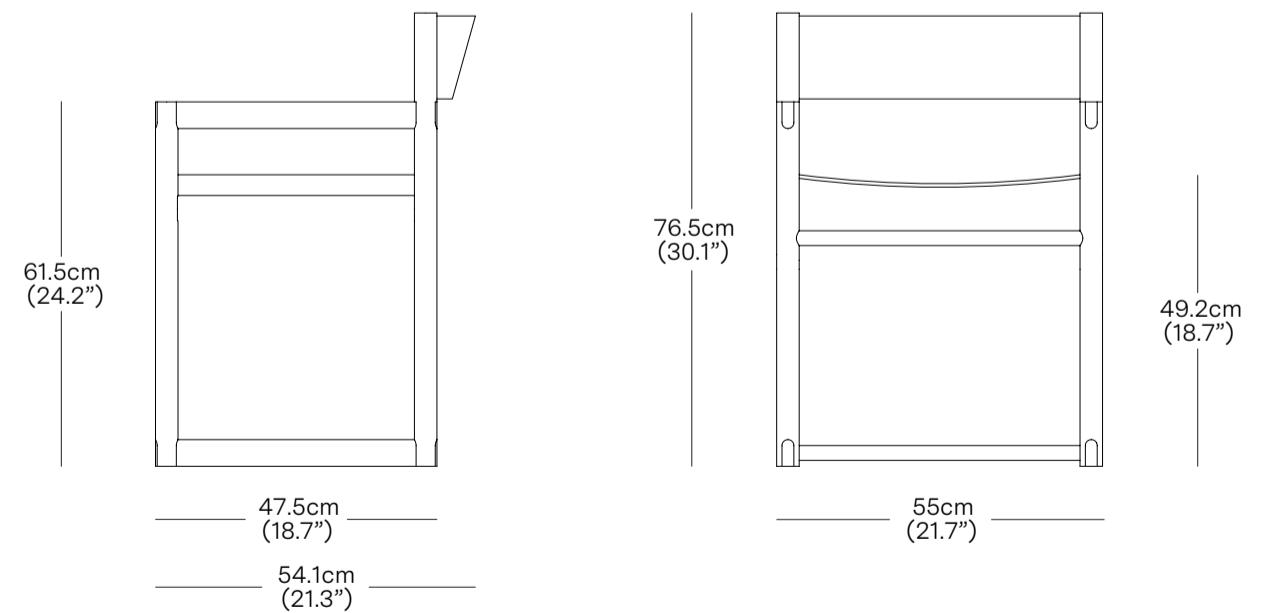
| |
|----------------------------|
| MATERIALS |
| Solid Oak, Leather |
| PRODUCT ENVIRONMENT |
| Indoor Use Only |
| CONTRACT USE |
| Yes |
| CERTIFICATION |
| FSC Certified Wood |
| WARRANTY |
| 3 years |
| COUNTRY OF ORIGIN |
| Lithuania |

| | |
|-------------|--|
| CODE | PRODUCT |
| PAS001NM | Passenger Chair - Natural with Mustang |
| PAS001BB | Passenger Chair - Black with Black |
| PAS001NB | Passenger Chair - Natural with Black* |
| PAS001BM | Passenger Chair - Black with Mustang* |

*Custom Order - additional lead time may apply.



| | | | | |
|---------------------|-----------------|-------------------|-------------------|-----------------------|
| FINISHES | | | | PRODUCT WEIGHT |
| natural/ mustang | black/ black | natural/ black | black/ mustang | 6 kg (13.2 lbs) |
| | | | | |
| | | | | |



| | | |
|----------------------------|----------|----------|
| PACKAGED DIMENSIONS | | |
| L x W x H | Cubage | Weight |
| Box 1 | | |
| 60 x 56 x 82 cm | 0.28 m3 | 8.5 kg |
| 23.6 x 22.0 x 32.3 in | 9.7 ft3 | 18.7 lbs |
| COMMODITY CODE | 94036010 | |

* Components drawn in relative scale. Refer to CAD files for accurate drawings.