

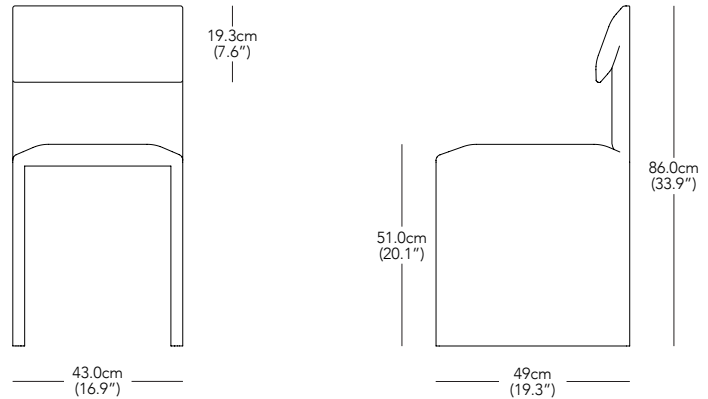
Resident

Sacha Chair

DESIGNER
Philippe Malouin / 2022

PRODUCT DESCRIPTION
Dining Chair

PRODUCT CODE
SAC001 - Sacha Chair



* Components drawn in relative scale. Refer to CAD files for accurate drawings.

MATERIALS
Upholstered MDF, Foam and Steel

PRODUCT ENVIRONMENT
Indoor Use Only

APPROPRIATE FOR HARD CONTRACT USE
Yes

WARRANTY
3 Years

PACKAGED DIMENSIONS
1 Chair Per Box

W	D	H	
53 x	51 x	96cm	0.26 m ³
20.7 x	20.1 x	37.8"	9.2 ft ³

PACKAGED WEIGHT
17 kg
37.5 lbs

PRODUCT WEIGHT
15 kg
33.1 lbs

UPHOLSTERY OPTIONS
Kvadrat - Hallingdal 65

PERFORMANCE
100,000 Martindale

MATERIAL COMPOSITION
70% New Wool, 30% Viscose

COUNTRY OF ORIGIN
New Zealand

Sacha Chair Fabric



0407

0110

0754

0173

0600

Kvadrat Hallingdal 65
70% new wool 30% viscose
100,000 Martindale

FIRE TESTS

AS/NZS 1530.3 · BS 5852 Crib 5 · BS 5852 part 1 · US Cal. Bull. 117-2013 · EN 1021-1/2

There are differing requirements concerning the flame-retardancy of textiles dependent on the area of application, country or even region.

Kvadrats Hallingdal textile passed the majority of international standards