



valerie objects

muller van severen
shelf n° 1

MOUNTING INSTRUCTION SHELF n°1

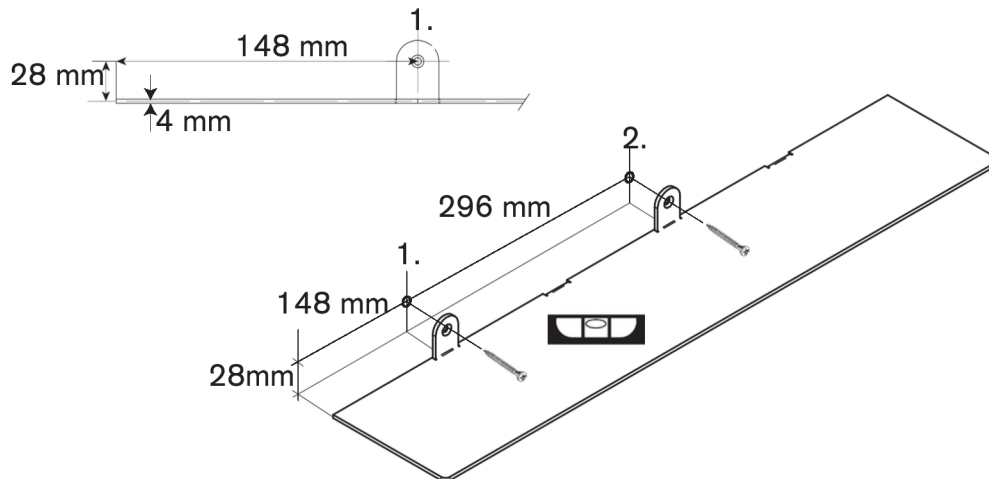
V9017100LG / MU / R / W / Z

740 x 150 x 86 mm / max 15 kg

1. - draw a horizontal thin pencil line on the wall at the desired height
-shelve N° 1 / total length is 740 mm

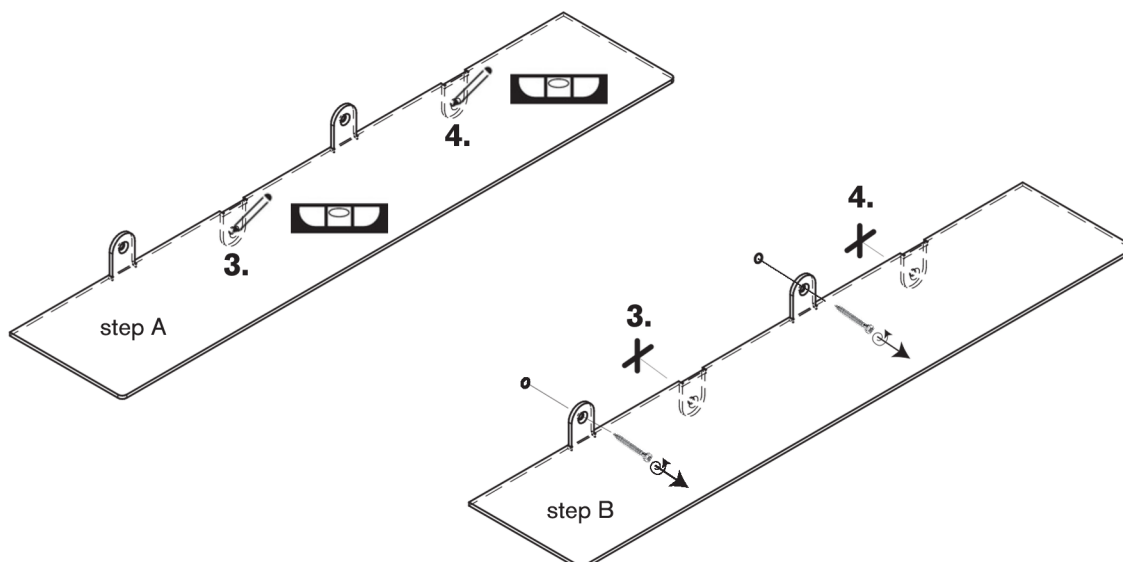


2. - indicate the 2 drillholes precisely above the shelf while holding the shelf to the wall
-minimum 2 persons needed / check carefully with spirit level



3. - drill the first 2 holes / predrill with $\varnothing 6$ mm, and drill final hole with $\varnothing 8$ mm
-screw by hand the full coloured wall screws into the connection points! not completely tight to the end!

4. - step A / indicate the extra 2 holes (3/4) while the shelf is mounted to the wall /check with spirit level
-step B / unscrew by hand the 2 wallscrews



5. - drill the extra 2 holes (3/4) / predrill with $\varnothing 6$ mm and drill final hole with $\varnothing 8$ mm
-screw by hand the full coloured wall screws into all 4 connection points! not completely tight to the end!
-screw all connections tight, starting from the middle towards both ends left and right, check horizontal position using a spirit level
-small adjustments are still possible when screws are not fully tightened

valerie_objects advises always to check the type of wall by a professional craftsman in order to guarantee a well mounted shelf



valerie objects

muller van severen
shelf n° 2

MOUNTING INSTRUCTION SHELF n°2

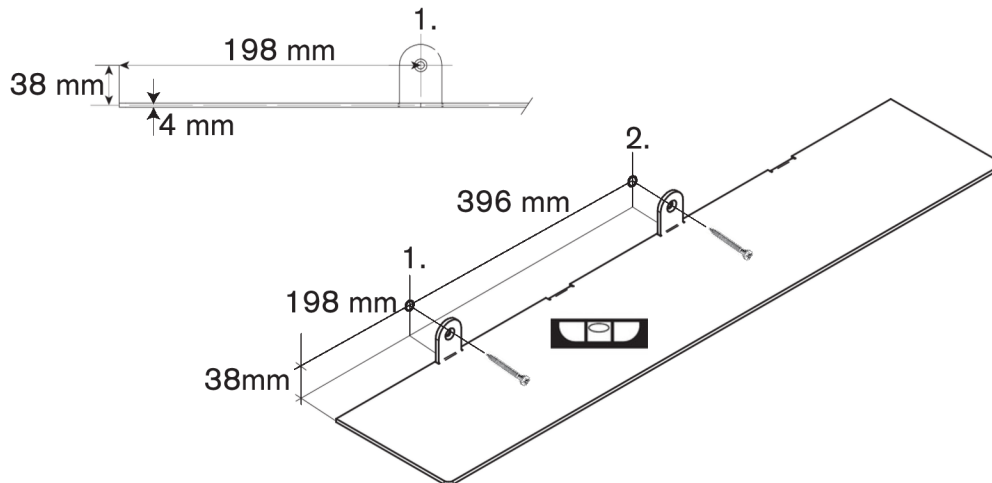
V9017101LG / MU / R / W / Z

990 x 250 x 116 mm / max 20 kg

1. - draw a horizontal thin pencil line on the wall at the desired height
-shelf N° 2 / total length is 990 mm

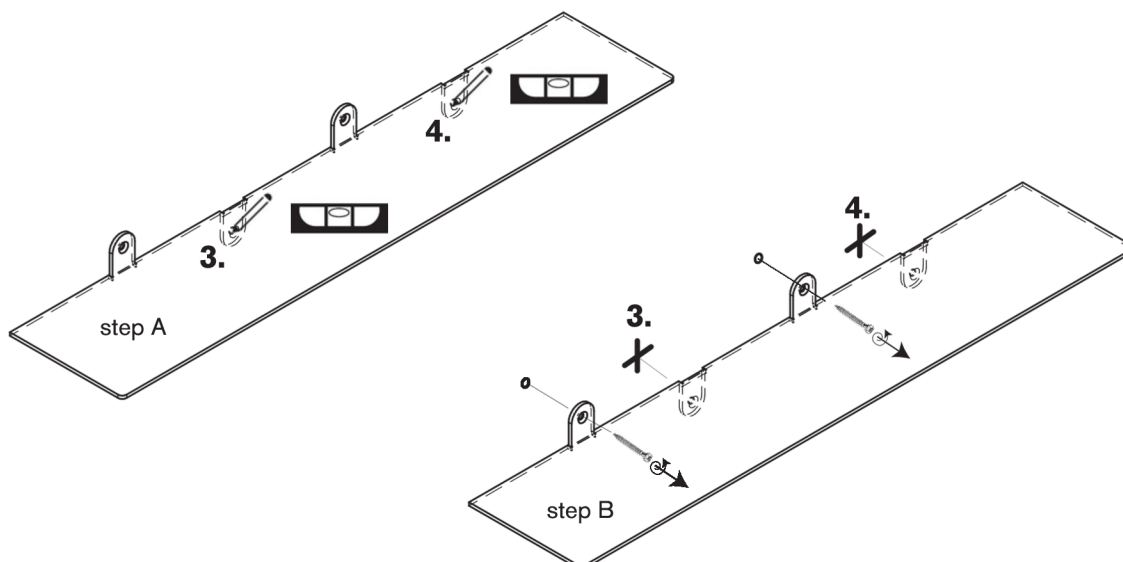


2. - indicate the 2 drillholes precisely above the shelf while holding the shelf to the wall
-minimum 2 persons needed / check carefully with spirit level



3. - drill the first 2 holes / predrill with $\varnothing 6$ mm, and drill final hole with $\varnothing 8$ mm
-screw by hand the full coloured wall screws into the connection points! not completely tight to the end!

4. - step A / indicate the extra 2 holes (3/4) while the shelf is mounted to the wall /check with spirit level
-step B / unscrew by hand the 2 wallscrews



5. - drill the extra 2 holes (3/4) / predrill with $\varnothing 6$ mm and drill final hole with $\varnothing 8$ mm
-screw by hand the full coloured wall screws into all 4 connection points! not completely tight to the end!
-screw all connections tight, starting from the middle towards both ends left and right, check horizontal position using a spirit level
-small adjustments are still possible when screws are not fully tightened



valerie objects

muller van severen
shelf n° 3

MOUNTING INSTRUCTION SHELF n°3

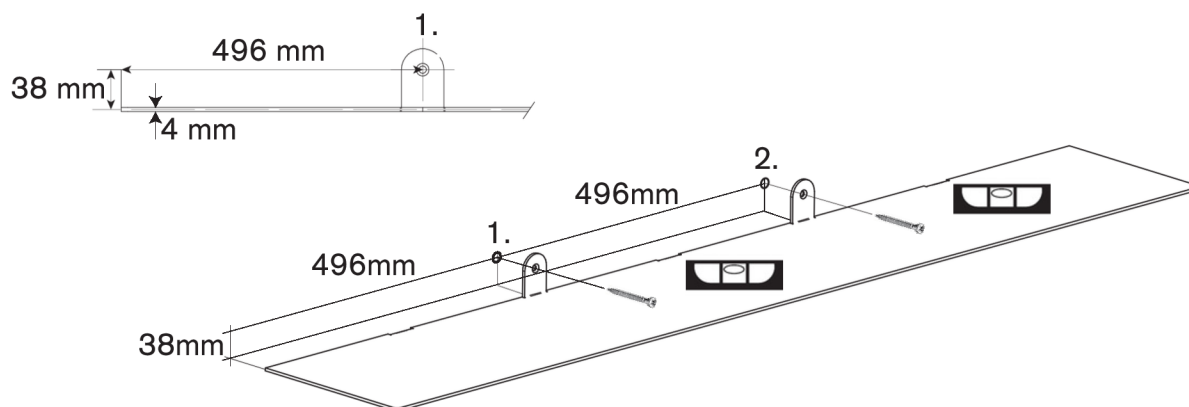
V9017102LG / MU / R / W / Z

1488 x 250 x 116 mm / max 20 kg

1. - draw a horizontal thin pencil line on the wall at the desired height
-shelf N° 3 / total length is 1488mm

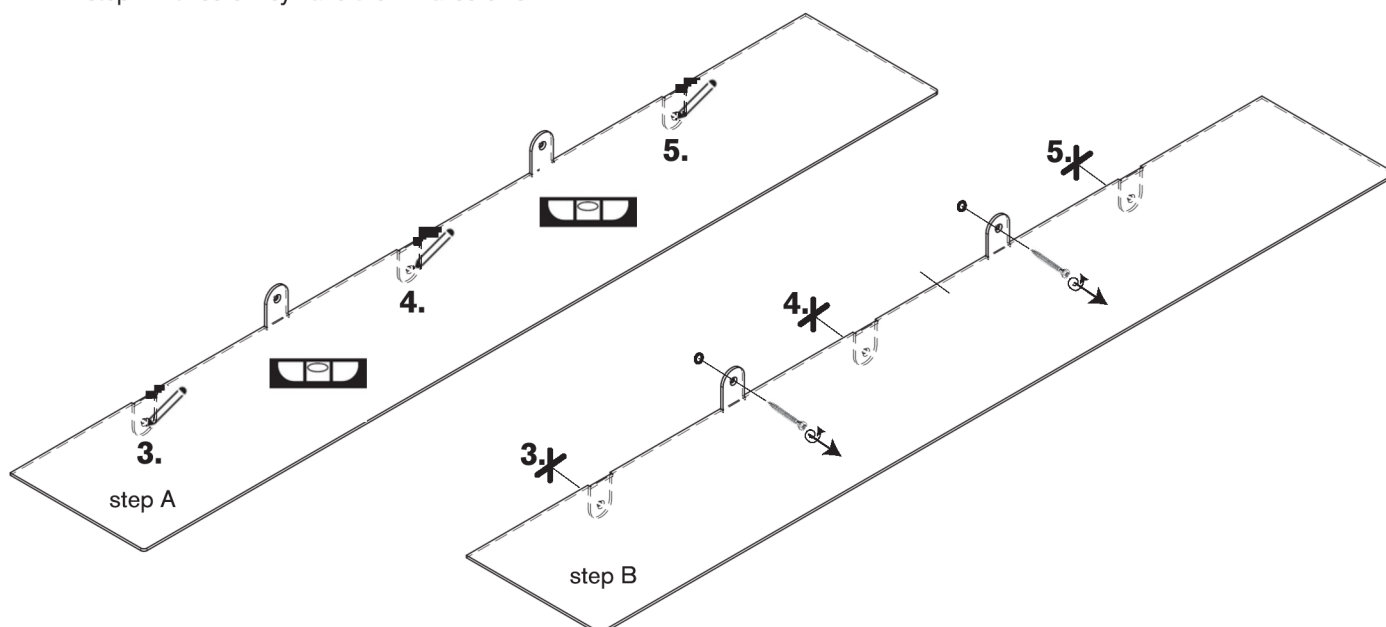


2. - indicate the 2 drillholes precisely above the shelf while holding the shelf to the wall
-minimum 2 persons needed / check carefully with spirit level



3. - drill the first 2 holes / predrill with \varnothing 6mm, and drill final hole with \varnothing 8mm
-screw by hand the full coloured wall screws into the connection points! not completely tight to the end!

4. - step A / indicate the extra 3 holes (3/4/5) while the shelf is mounted to the wall
-step B / unscrew by hand the 2 wallscrews



5. - drill the extra 3 holes (3/4/5) / predrill with \varnothing 6mm and drill final hole with \varnothing 8mm
-screw by hand the full coloured wall screws into all 5 connection points! not completely tight to the end!
-screw all connections tight, starting from the middle towards both ends left and right, check horizontal position using a spirit level
-small adjustments are still possible when screws are not fully tightened



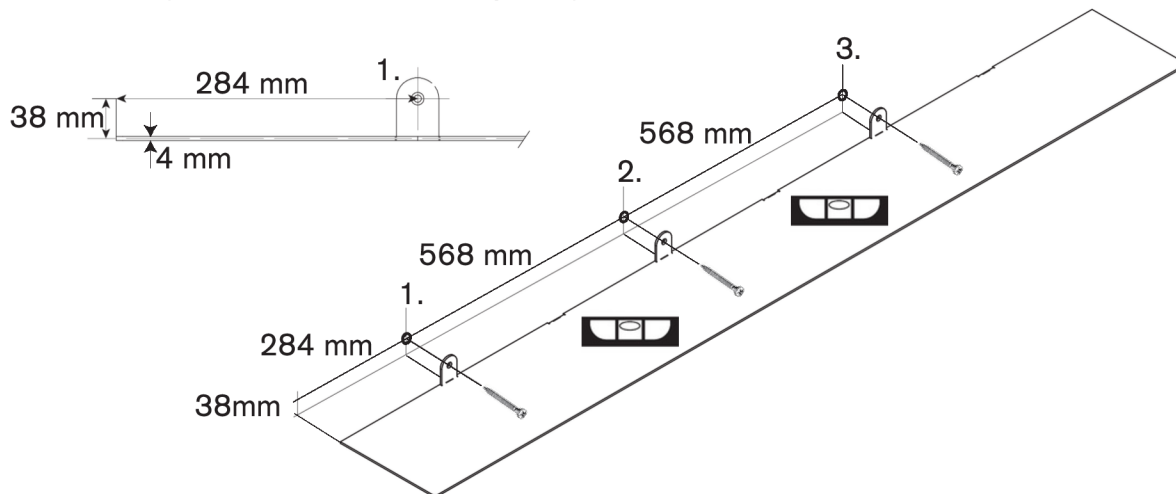
valerie objects

muller van severen
shelf n° 4

1. - draw a horizontal thin pencil line on the wall at the desired height
-shelf N° 4 / total length is 1988mm

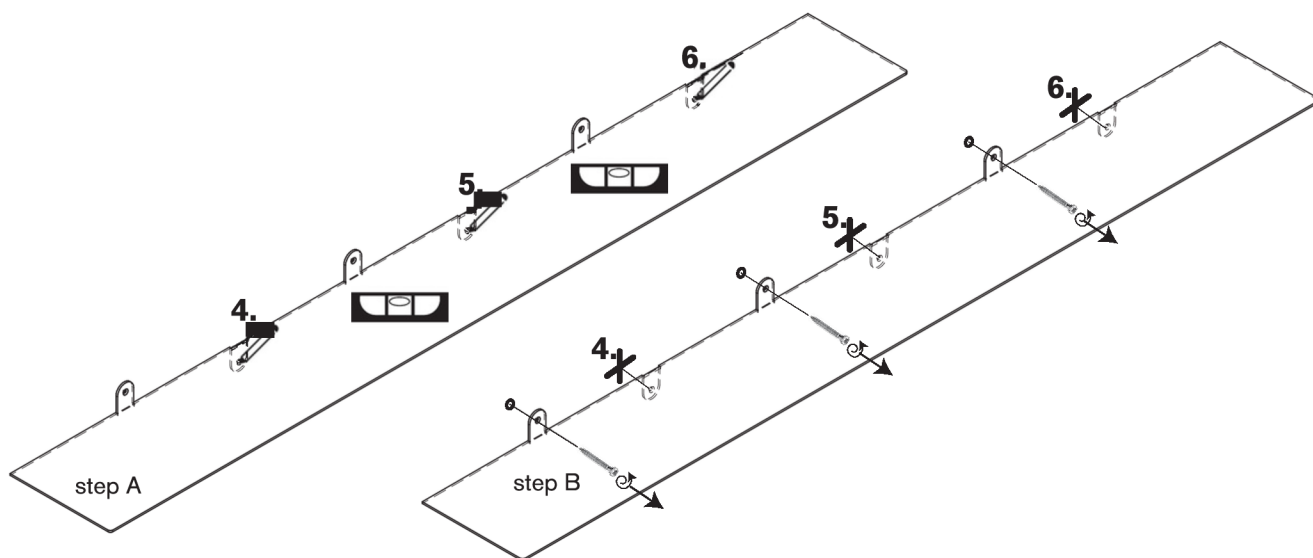


2. - indicate the 3 drillholes precisely above the shelf while holding the shelf to the wall
-minimum 2 persons needed / check carefully with spirit level



3. - drill the first 3 holes / predrill with \varnothing 6mm, and drill final hole with \varnothing 8mm
-screw by hand the full coloured wall screws into the connection points! not completely tight to the end!

4. - step A / indicate the extra 3 holes (4/5/6) while the shelf is mounted to the wall /check with spirit level
-step B / unscrew by hand the 3 wallscrews



5. - drill the extra 3 holes (4/5/6) / predrill with \varnothing 6mm and drill final hole with \varnothing 8mm
-screw by hand the full coloured wall screws into all 6 connection points! not completely tight to the end!
-screw all connections tight, starting from the middle towards both ends left and right, check horizontal position using a spirit level
-small adjustments are still possible when screws are not fully tightened