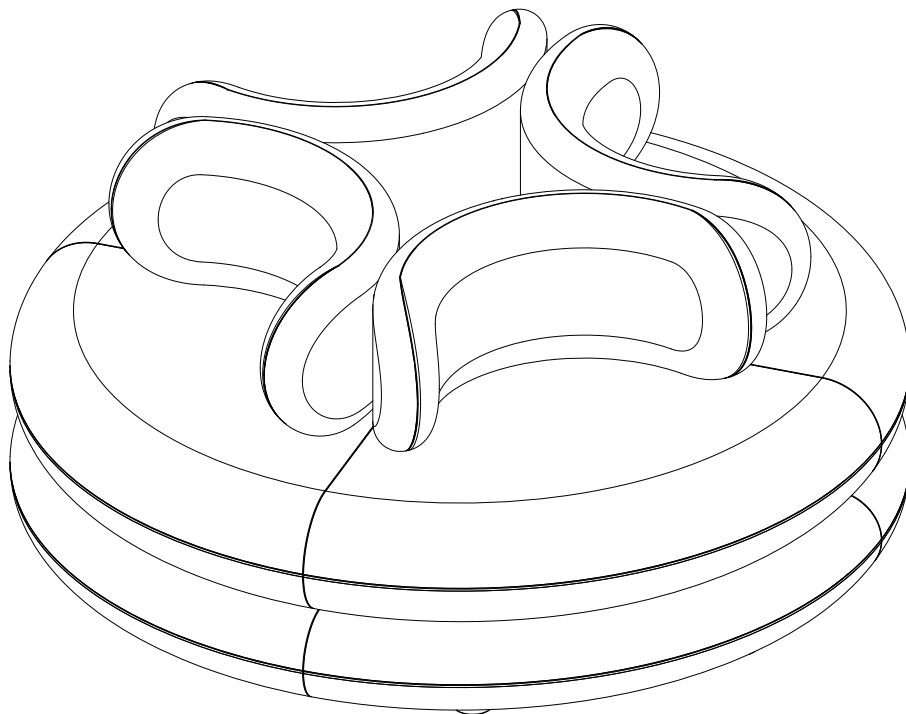


EASY SOFA Ø1700
Assembly Instruction



Before you get started

Recommendation: We recommend that you are more than two people to assemble as the sofa is very heavy.

Maintenance: We recommend that you vacuum upholstery webbing once a week using the soft nozzle attachment of your vacuum cleaner (used for textiles and softer furnishings) in order to ensure the longest possible life of the product.

It should not be necessary to clean upholstery webbing often as the material has a slightly dirt-repellent surface. Over time, the screws for the backrests might need tightening.

Disclaimer: Do not use solvents, undiluted detergents, soaps, bleaches or ammonia on the material. Please be aware that especially new non-colourfast clothing and dark jeans can potentially leak colour onto the webbing. Any such leakage may not be possible to remove, as the excess colour can soak deep into the material.



Read the entire manual before mounting

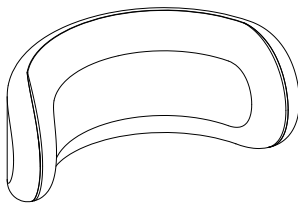


2-3 people job

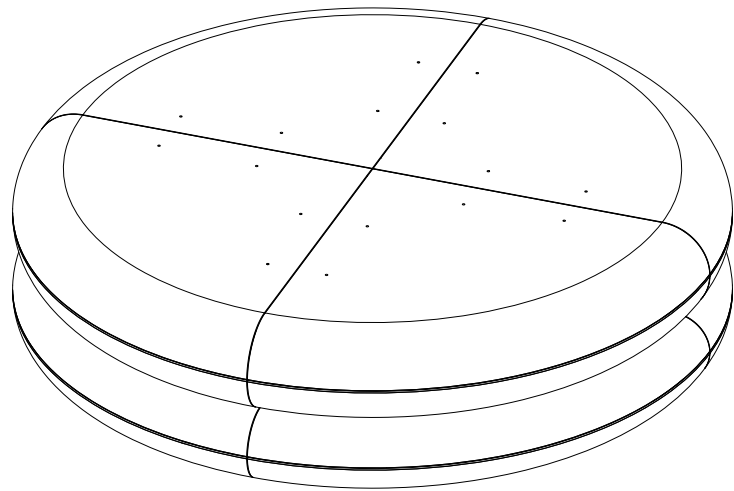


Set aside plenty of time

Box contains:



4 x backrests



Base module



8 x short screws



8 x feet



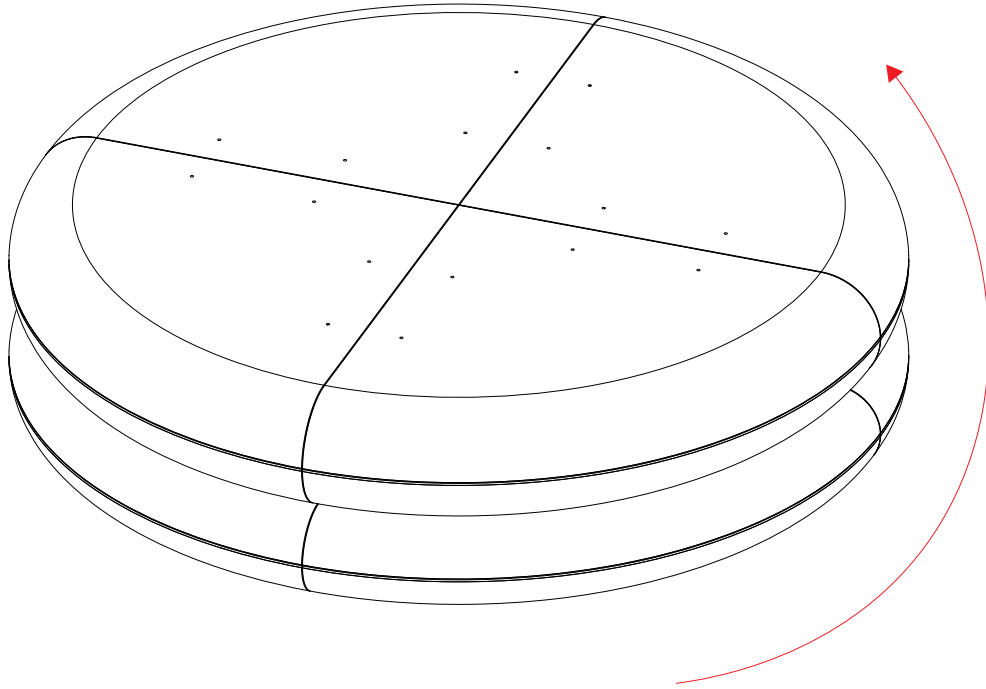
16 x long screws + washers

You will also need:

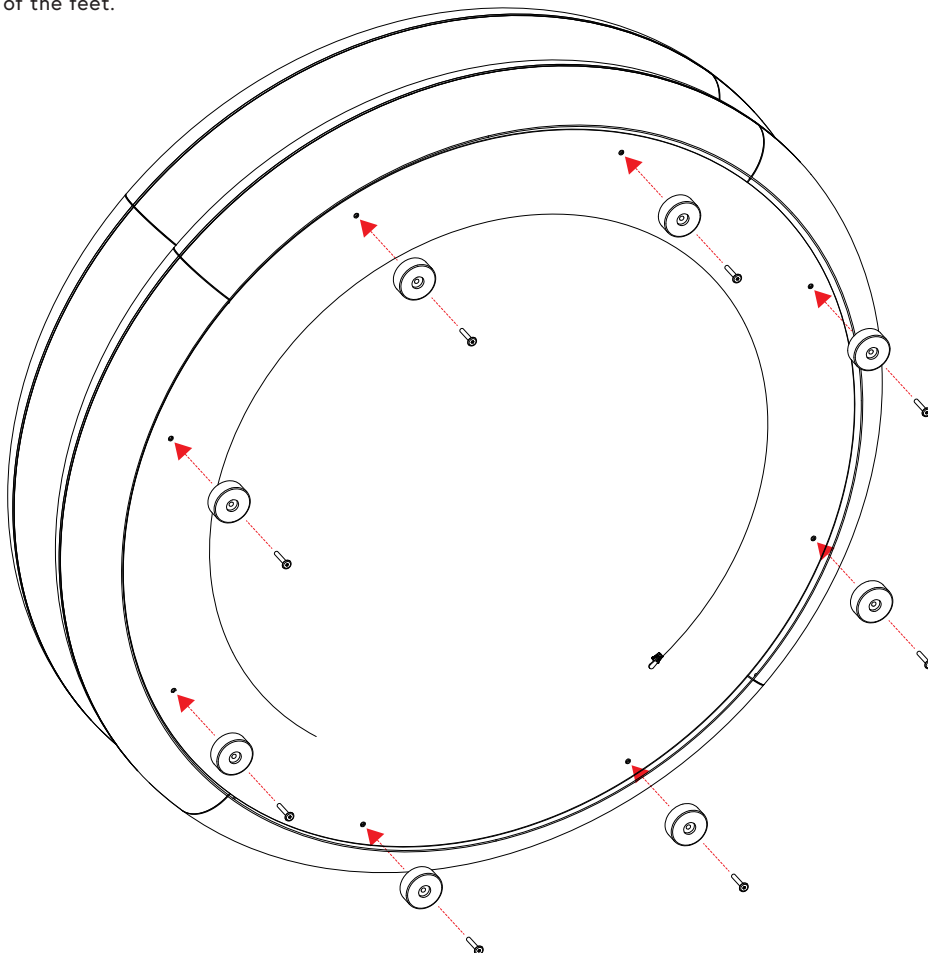


5 mm Unbraco

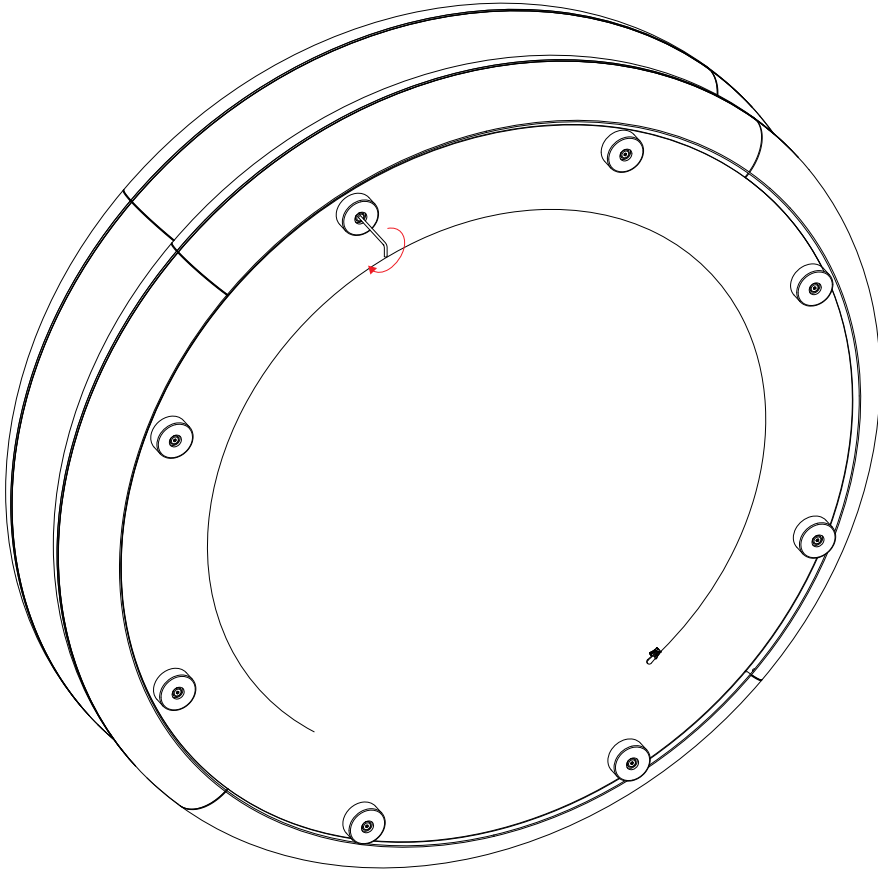
- 1** Flip the base on its side. One or two people should assist the balance.



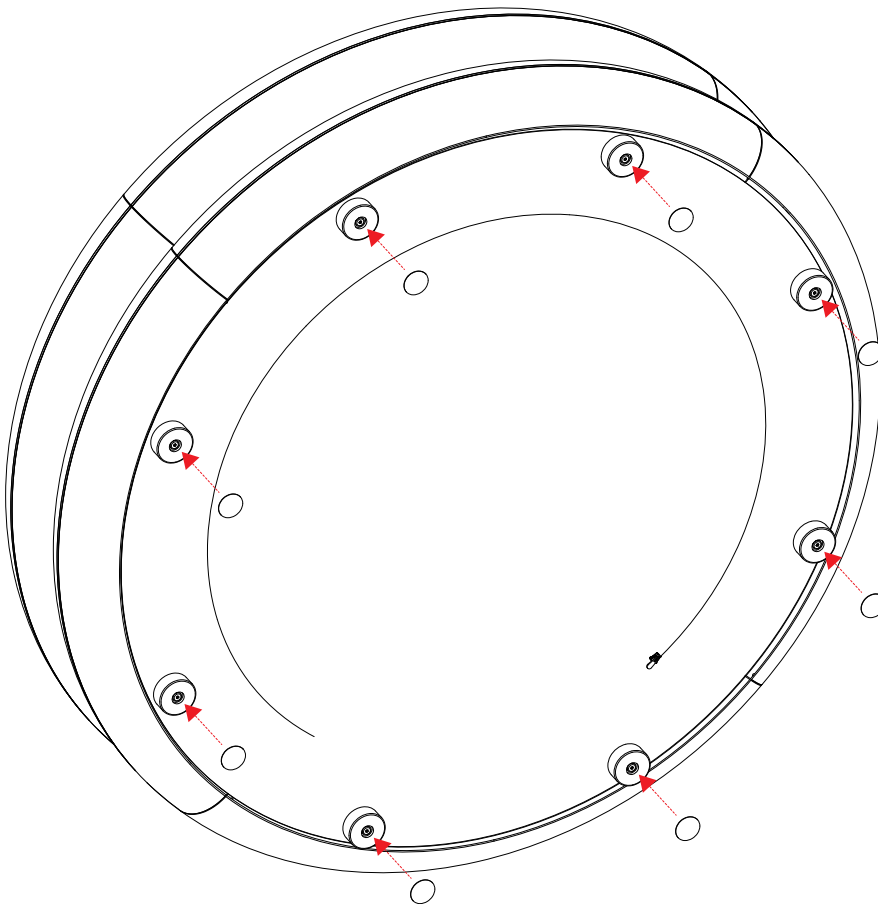
- 2** Place the feet and dedicated screws onto the hole location of the feet.



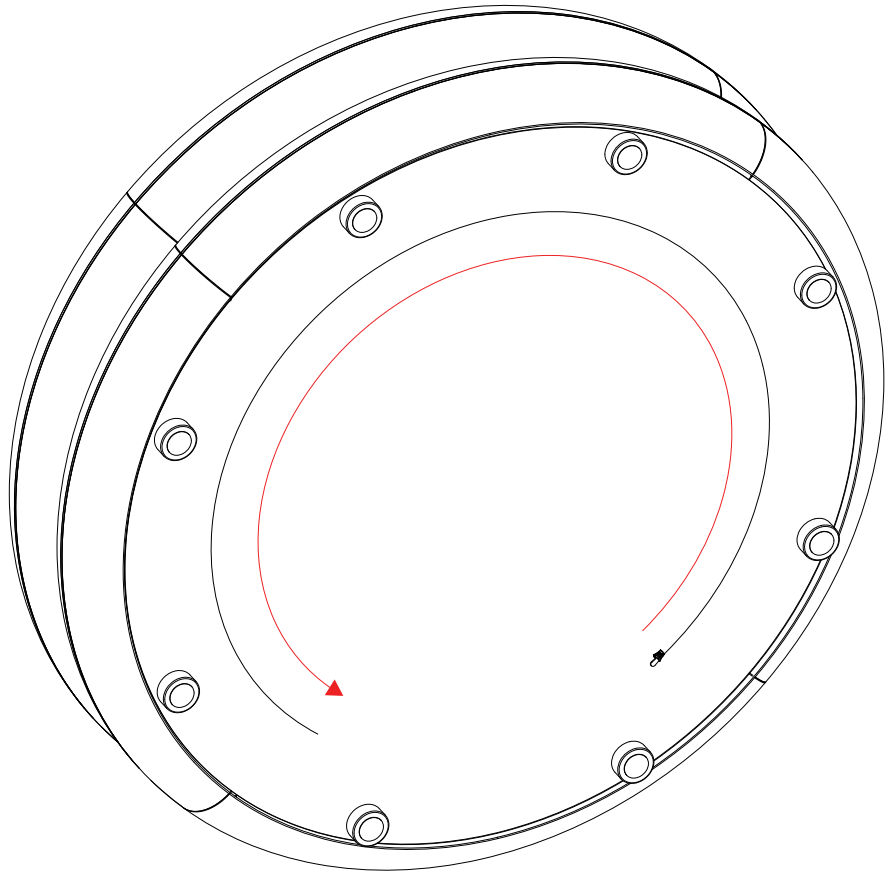
3 Tighten all the 8 screws for the feet.



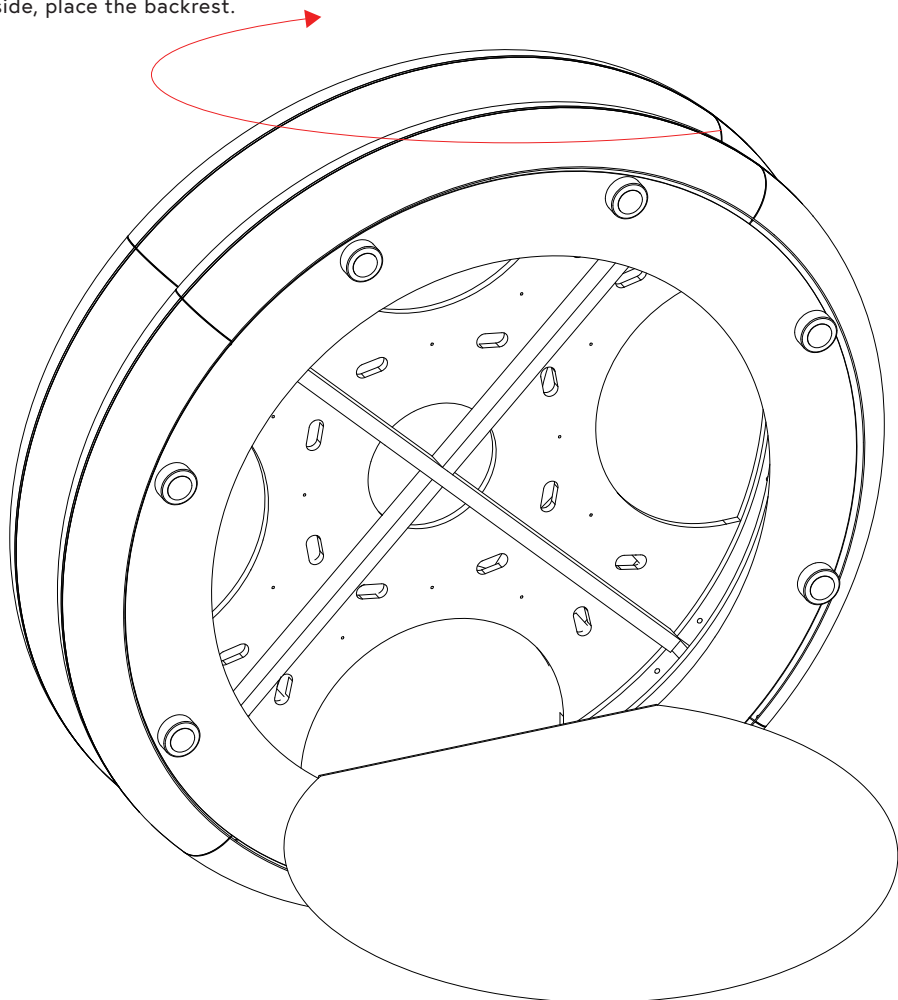
4 Place the stickers on top of the holes of the feet.



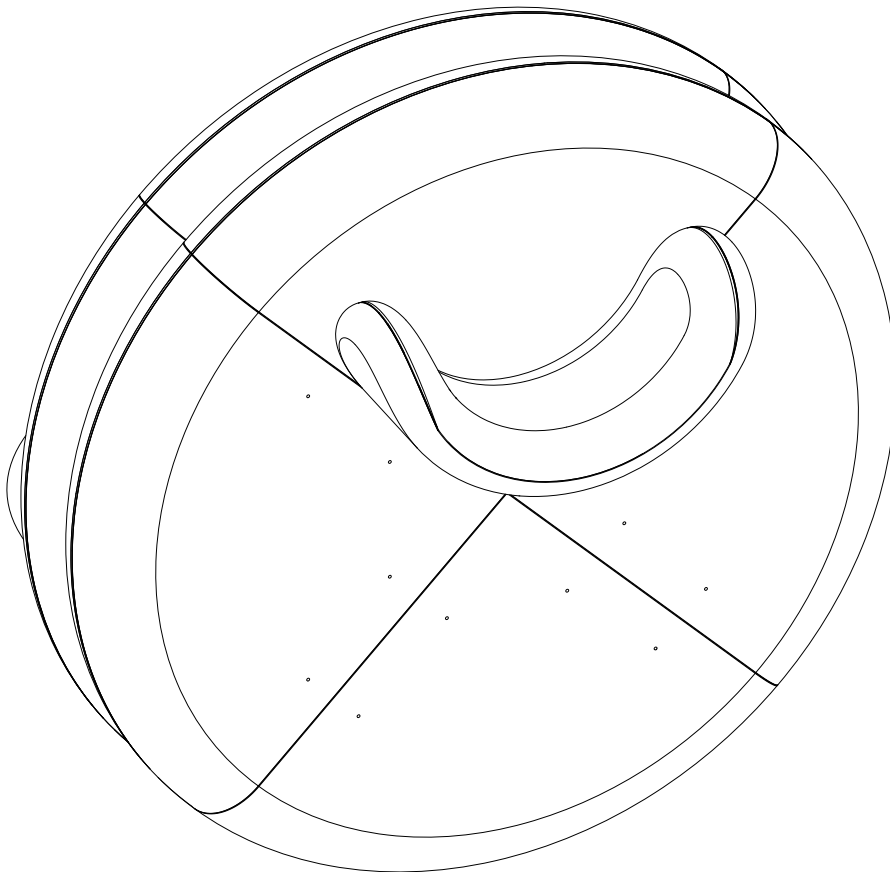
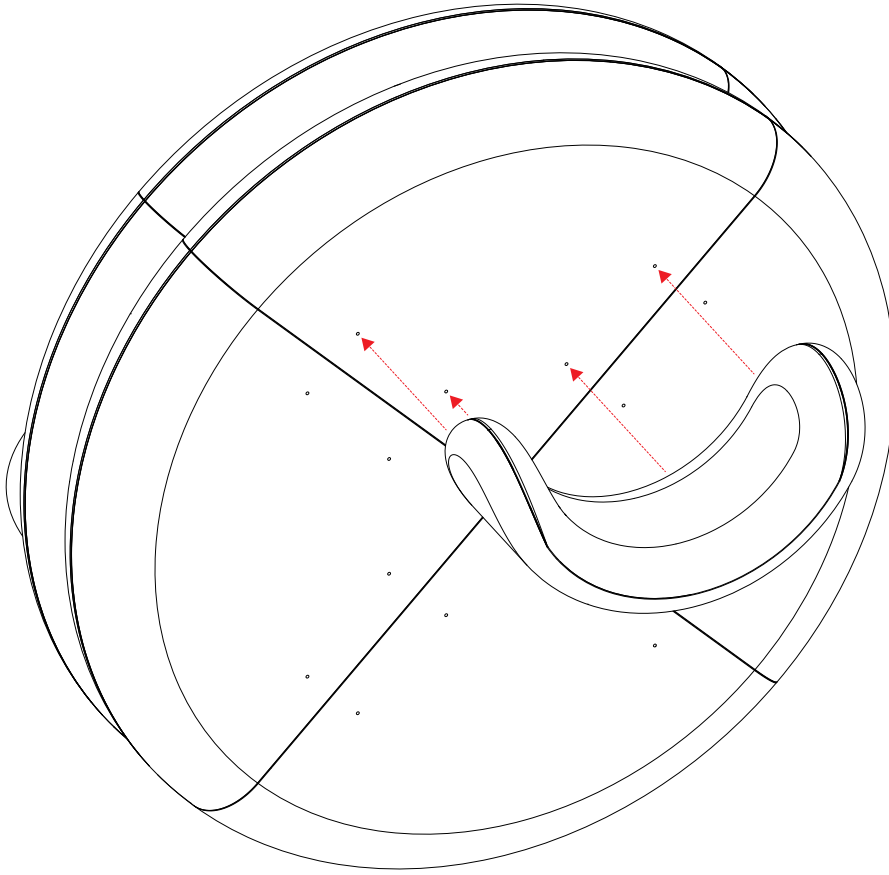
5 Open the zipper, anti-clock-wise



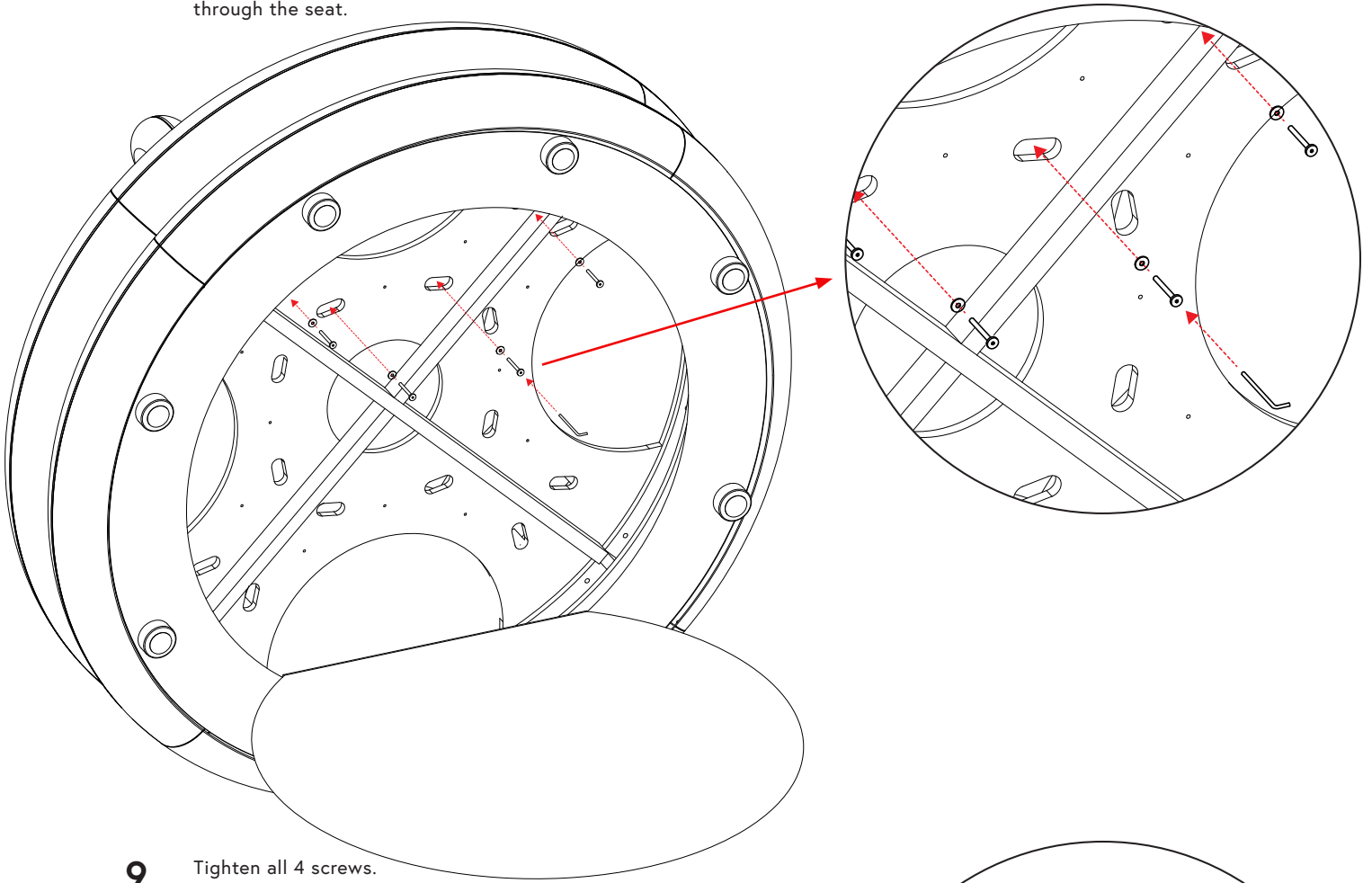
6 From the top side, place the backrest.



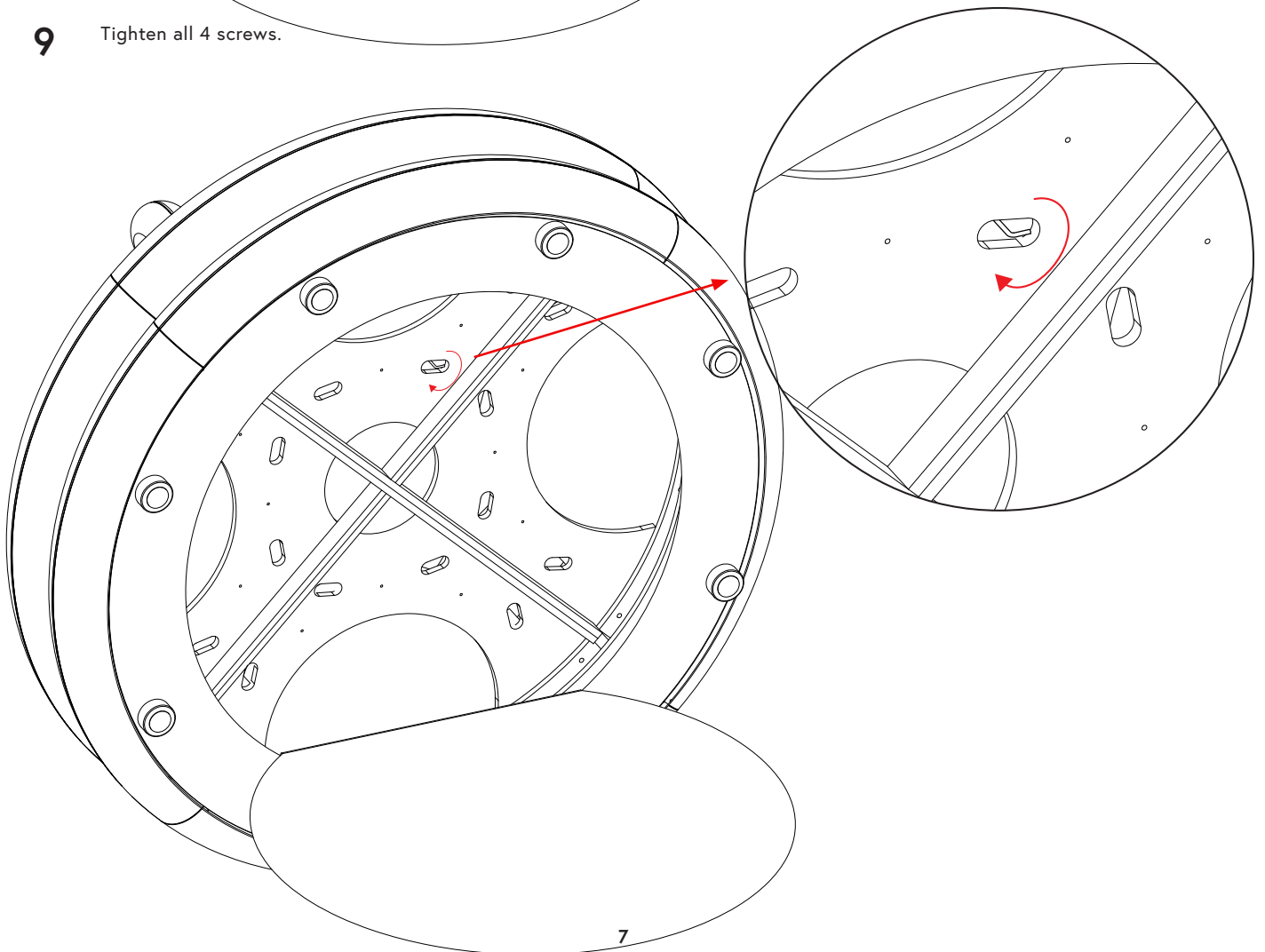
- 7** Place the backrest onto the screw location as shown in the picture.



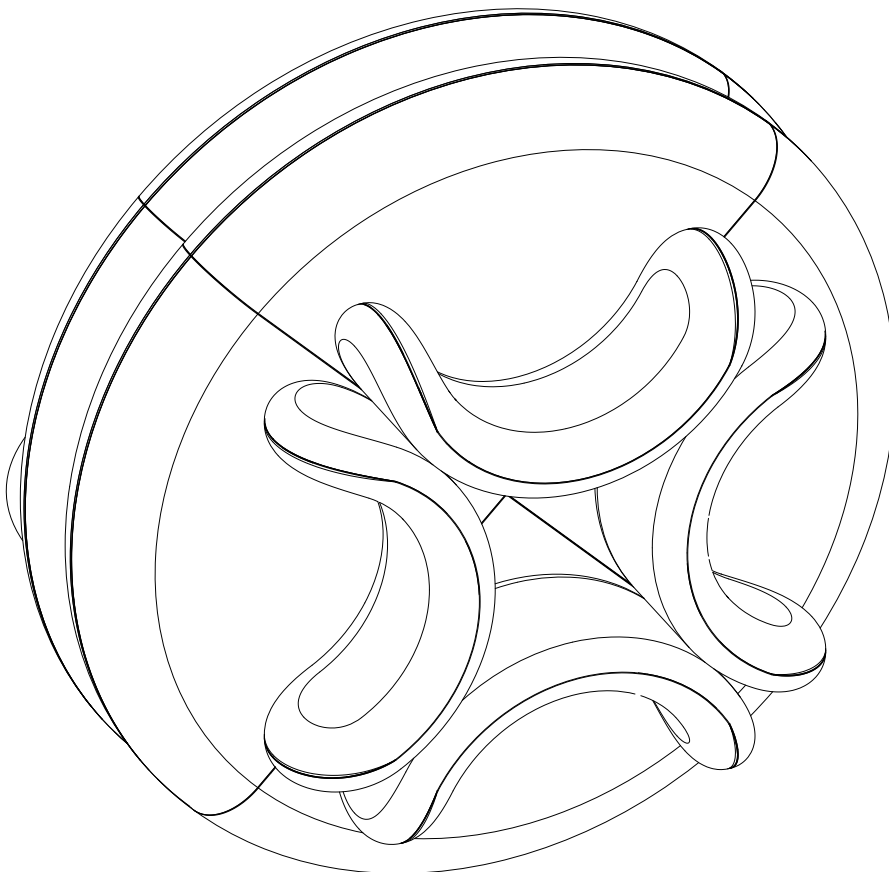
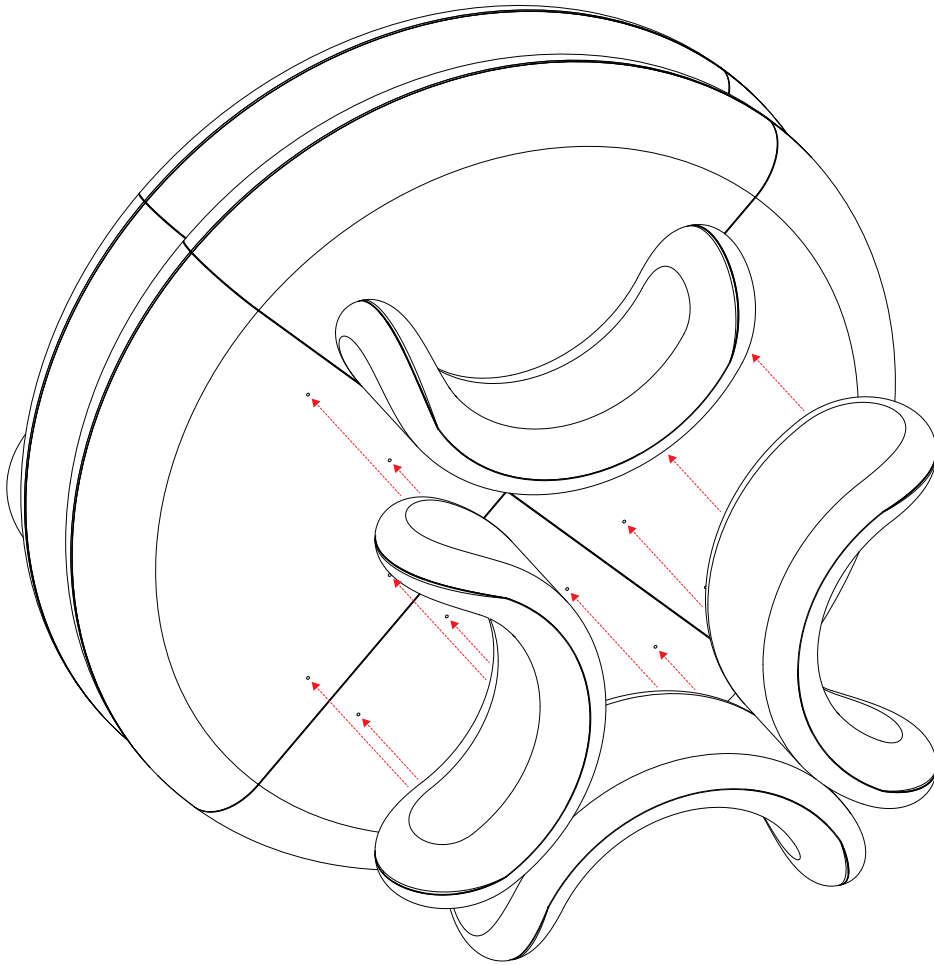
- 8** Place the four screws with the washers on in the cutouts of the wooden structure. Fit the screws in the backrest through the seat.



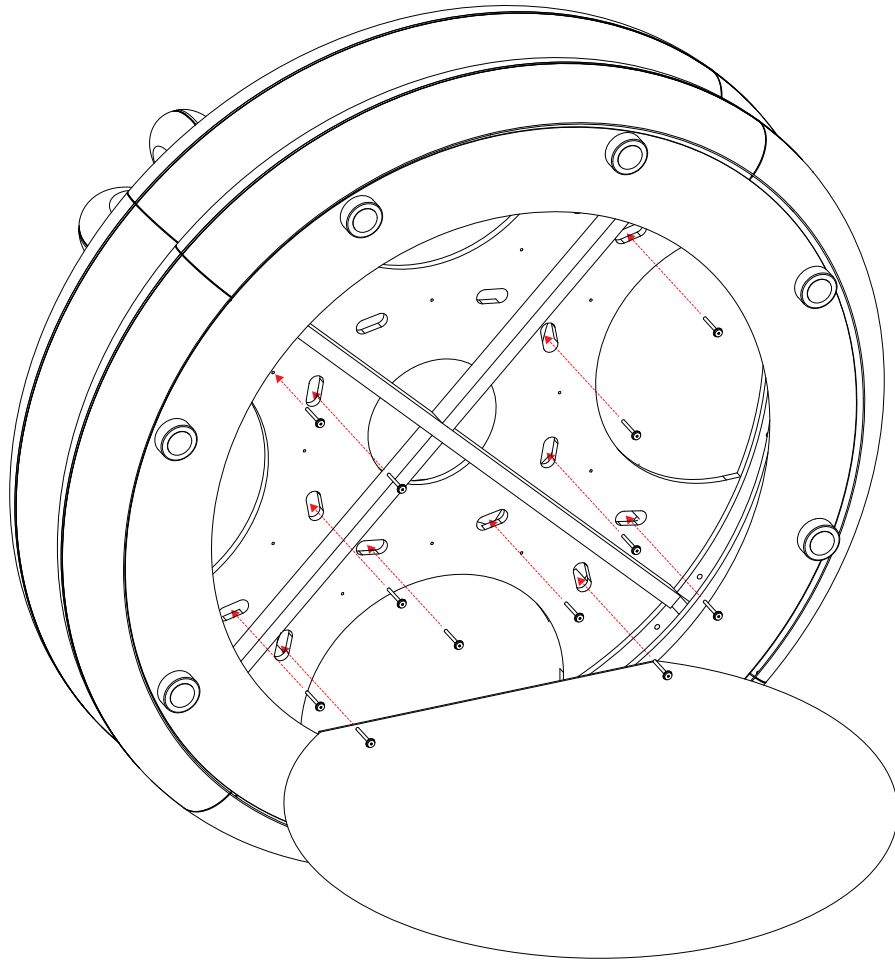
- 9** Tighten all 4 screws.



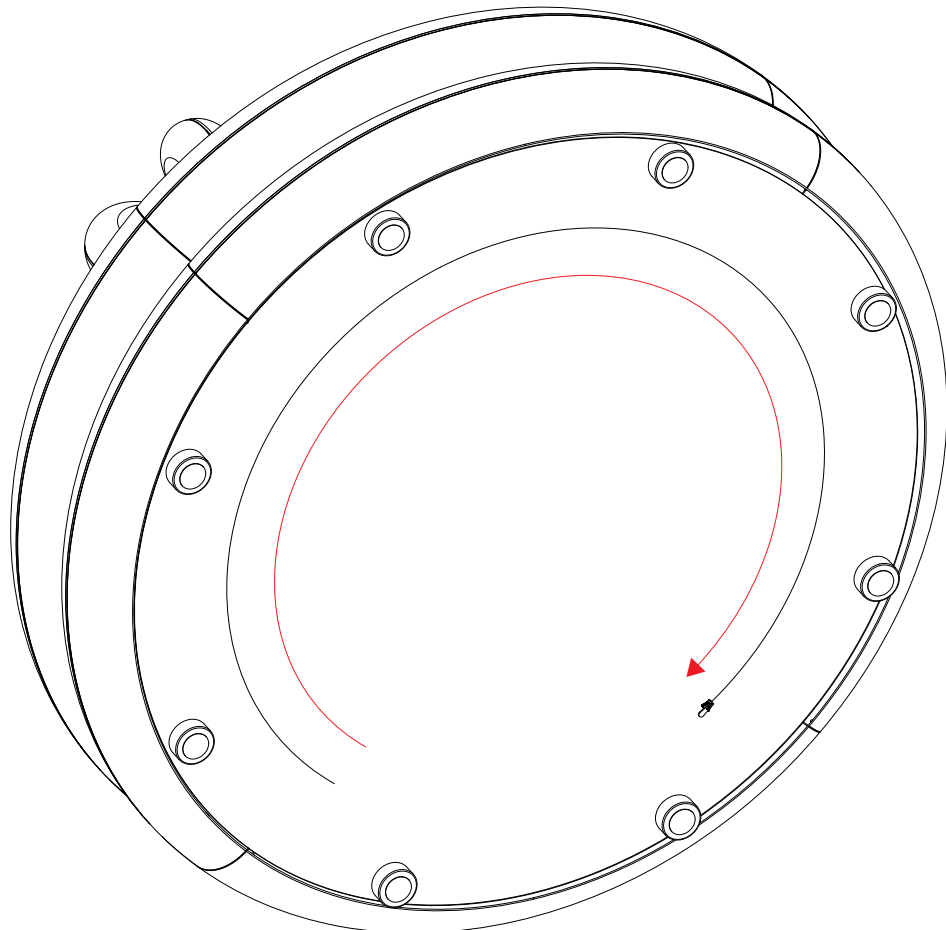
- 10** Repeat the process, by placing the rest of the 3 backrests on top of the screw locations and tightening the screws.



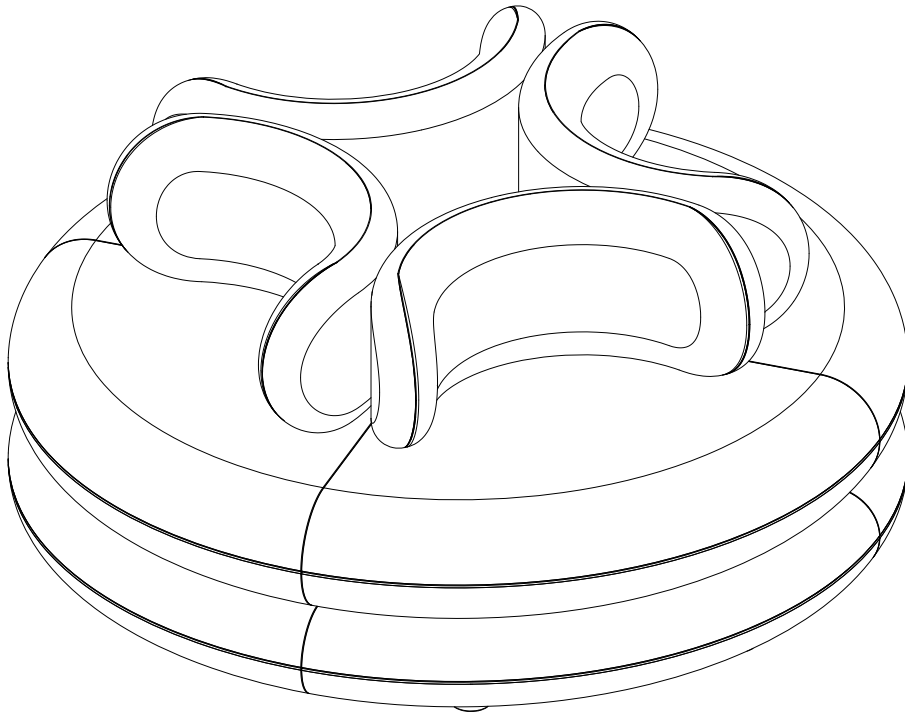
- 11** Repeat the process, by placing the rest of the 3 backrests on top of the screw locations and tightening the screws



- 12** Close the zipper.



13 Carefully place your Easy Sofa on the ground.



Enjoy your Easy Sofa!



Egeskovvej 29 | 8700 Horsens | Denmark
info@verpan.com | verpan.com

Supplier fsc
logo is placed
here. White
with no back-
ground
width: 17mm