



WIENER STUHL

DATA SHEET

WIENER STUHL

DESIGN GEBRÜDER THONET, 1904



Bent beech-wood armchair. Woven cane, plywood, perforated plywood or upholstered seat available. The frame is also available in two tones (rear legs in natural beech and lacquered structure as per standard collection colors).



PTWIESLGN

Dimensions mm.
height 800 | width 520 | depth 570



PTWIESLGF

Dimensions mm.
height 800 | width 520 | depth 570



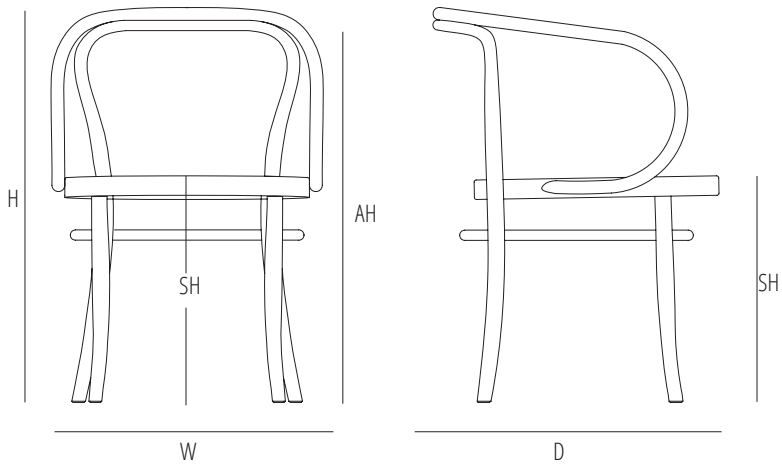
PTWIESPGL

Dimensions mm.
height 800 | width 520 | depth 570

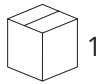


PTWIESTES

Dimensions mm.
height 800 | width 520 | depth 570



	H	W	D	SH	AH
mm	800	520	570	470	710
inch	31,4	20,5	22,4	18,5	27,9



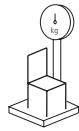
1



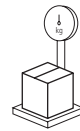
max. 1



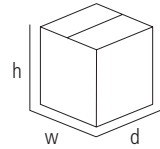
0,36



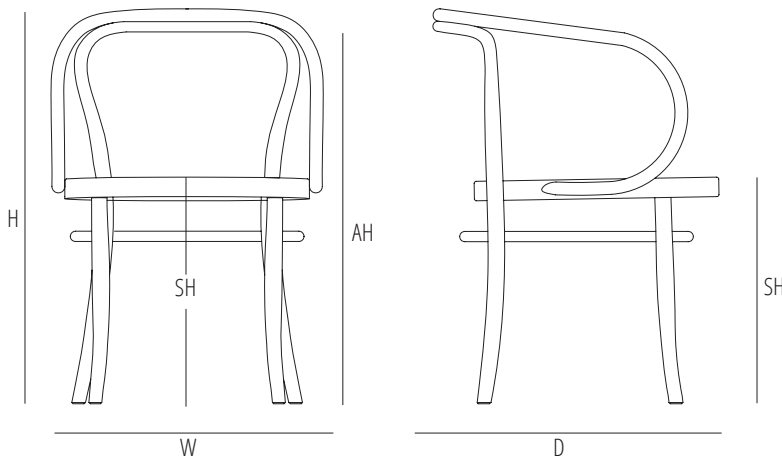
4,5



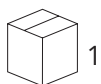
7,5



mm - inch
 h 960 - 37,7
 w 620 - 24,4
 d 600 - 23,6



	H	W	D	SH	AH
mm	800	520	570	470	710
inch	31,4	20,5	22,4	18,5	27,9



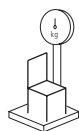
1



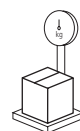
max. 1



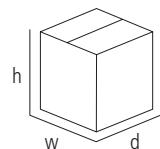
0,36



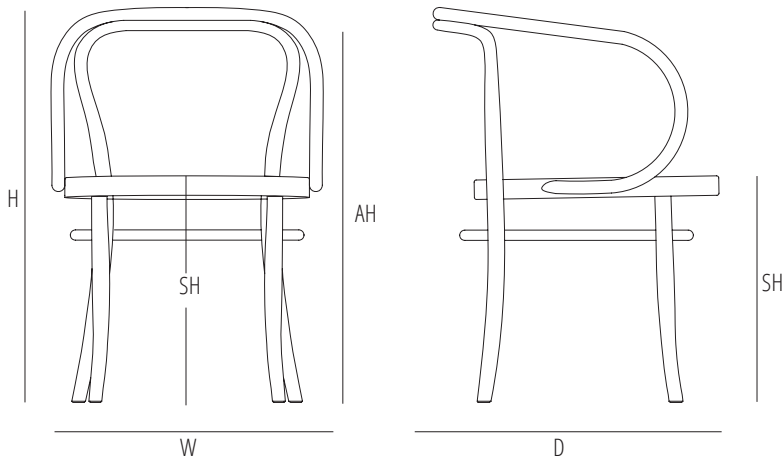
4,5



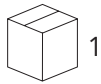
7,5



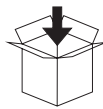
mm - inch
 h 960 - 37,7
 w 620 - 24,4
 d 600 - 23,6



	H	W	D	SH	AH
mm	800	520	570	470	710
inch	31,4	20,5	22,4	18,5	27,9



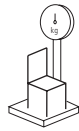
1



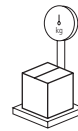
max. 1



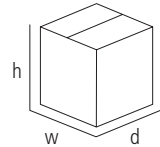
0,36



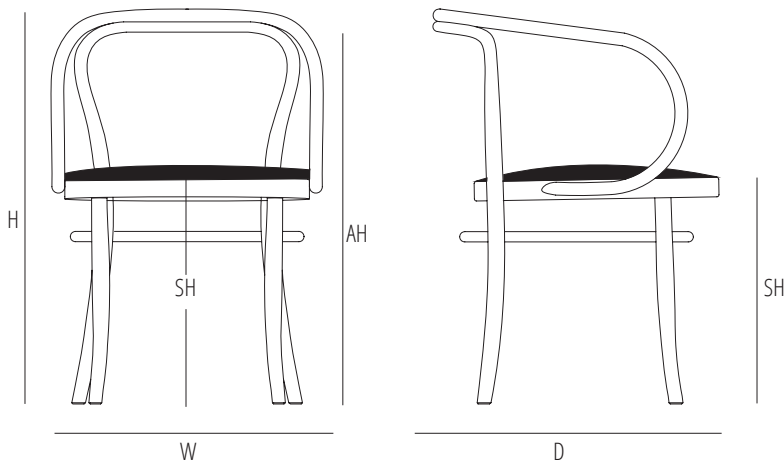
4,5



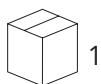
7,5



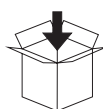
mm - inch
h 960 - 37,7
w 620 - 24,4
d 600 - 23,6



	H	W	D	SH	AH	
mm	800	520	570	470	710	1 Pz/Pc: 65 cm. Linear x 140 cm h/width
inch	31,4	20,5	22,4	18,5	27,9	2 Pz/Pc: 65 cm. Linear x 140 cm h/width



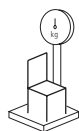
1



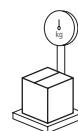
max. 1



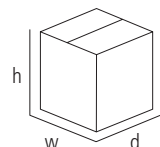
0,36



4,5



7,5



mm - inch
h 960 - 37,7
w 620 - 24,4
d 600 - 23,6

Available finishes

SOLID WOOD



B01 BEECH

STAINS



B03 DARK WALNUT



B04 WENGÉ

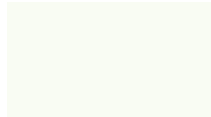


B08 BEECH-WOOD STAINED IN NOCE CANALETTO

CLASSIC LACQUER



C01 - RAL 9005 BLACK



C02 - RAL 9010 PURE WHITE

CONTEMPORARY LACQUER



D01 - RAL 1013 PEARL WHITE



D02 - RAL 7047 TELEGREY 4



D03 - RAL 7030 STONE GREY



D19 - S7502 G DARK GREY



D21 - S1510 Y80R POWDER PINK



D29 - S3060 Y60R RED ORANGE



D26 - S3560 Y80R CARMINE RED



D14 - RAL 3005 WINE RED



D30 - S3030 B PASTEL BLUE



D11 - RAL 7000 SQUIRREL GREY



D12 - RAL 7031 BLUE GREY



D25 - RAL 5011 STEEL BLUE



D15 - RAL 5020 OCEAN BLUE



D27 - S1050 Y10R MELON YELLOW



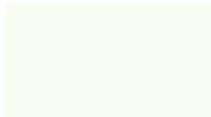
D28 - S2050 G90Y CAMPUS GREEN



D23 - S6020 G10Y DARK GREEN

TESTS FOR WIENER STUHL

1. Seat impact resistance ANSI-BIFMA X5.1-2011/8
2. Backrest fatigue with non-tilting seat ANSI-BIFMA X5.1-2011/16
3. Fatigue strength of armrests ANSI-BIFMA X5.1-2011/13
4. Armrest resistance to vertical forces ANSI-BIFMA- X5.1-2011/13
5. Armrest resistance to horizontal forces ANSI-BIFMA X5.1-2011/14
6. Stability ANSI-BIFMA X5.1-2011/12
7. Backrest resistance ANSI-BIFMA X5.1-2011/18
8. Seat fatigue test ANSI-BIFMA X5.1-2011/11
9. Static load on front legs ANSI-BIFMA X5.1-2011/18
10. Static load on side legs ANSI-BIFMA X5.1-2011/18



Gebrüder Thonet Vienna GmbH
Prinz Eugen Straße 42
1040 Wien (AT)

www.gebruederthonetvienna.com

Offices of the trademarks' licensee
Production Furniture International S.p.A.
Via Foggia, 23/H
10152 Torino (TO) Italy

Phone: 0039 011 0133330 - info@gebruederthonetvienna.com