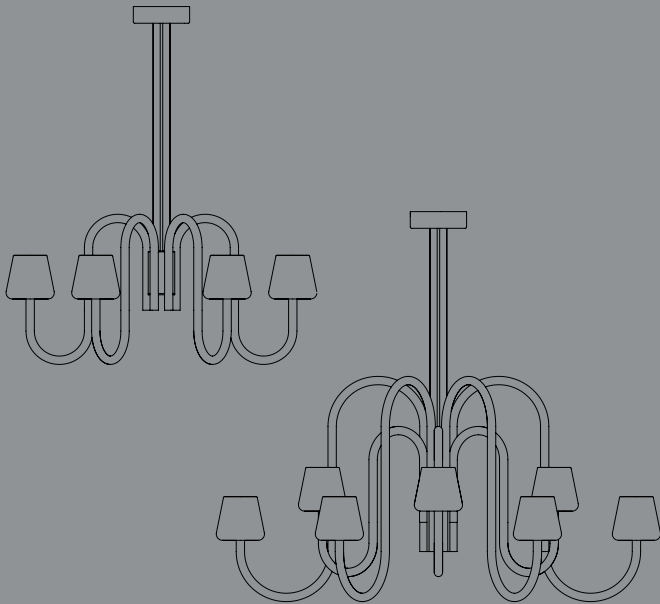


APOLLO CHANDELIER



DESIGN BY STUDIO 0405

HAY

TECHNICAL DATA

This product is fitted with three G9 bulb fittings. HAY recommends using this product with LED bulbs.

APOLLO CHANDELIER 745:
FITTING TYPE | 6 x G9 LED
POWER (W) | MAX 5W
COLOUR TEMPERATURE | Warm white

APOLLO CHANDELIER 1065:
FITTING TYPE | 12 x G9 LED
POWER (W) | MAX 5W
COLOUR TEMPERATURE | Warm white

HAY will not accept any responsibility for any accidents, injuries or damages that occur due to the use of incorrect bulbs.

ATTENTION

Ensure that the power supply to the circuit has clearly been turned OFF before installing the product. In some countries, electrical installation must be carried out by authorised electricians/contractors; please check with your local authority for guidance.

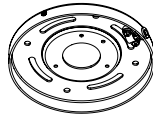
The product must not be modified in any way. HAY accepts no responsibility for any products that have been modified or tampered with. If the external flexible cable or cord of this luminaire is damaged, it should be exclusively replaced by a qualified electrician in order to avoid an electrical hazard. This lamp is designed for indoor use only.

CARE AND MAINTENANCE

The product can be cleaned with a soft damp cloth and mild detergent, or a dry microfibre cloth. Do not use alcohol or any other solvents to clean the product and avoid using abrasive or rough sponges. Ensure that the power supply has been turned OFF before cleaning the product.



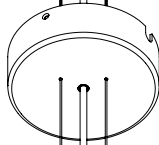
- PARTS -



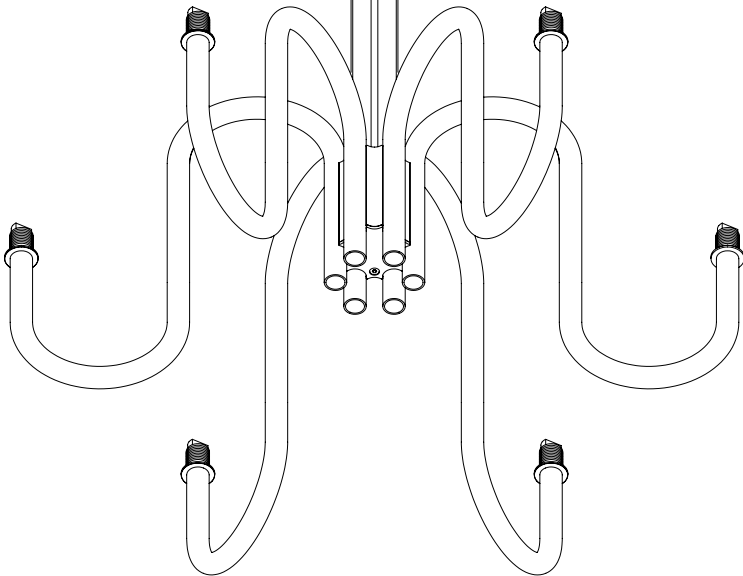
Ceiling bracket



Height adjustment bracket



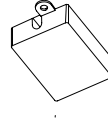
Canopy



- PARTS -



Velcro cable tie



Terminal block



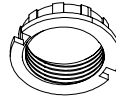
M5 screws



M4 screws



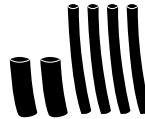
M3 screws



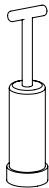
Shade ring



Twist-on wire connectors
(US customers only)



Heat shrinks



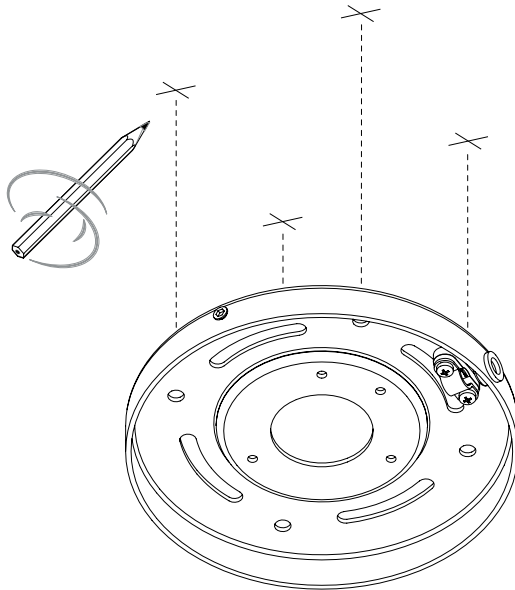
Shade ring tool



Glass shades

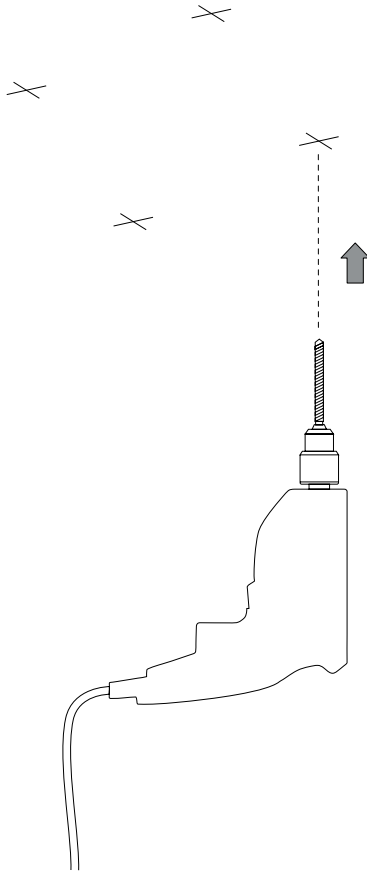
1.

If you have an existing junction box or crossbar in the ceiling, you can skip the next step. Use a pencil to mark fixing holes on either side of the cable exit hole in the ceiling. For US customers - go to step 9.



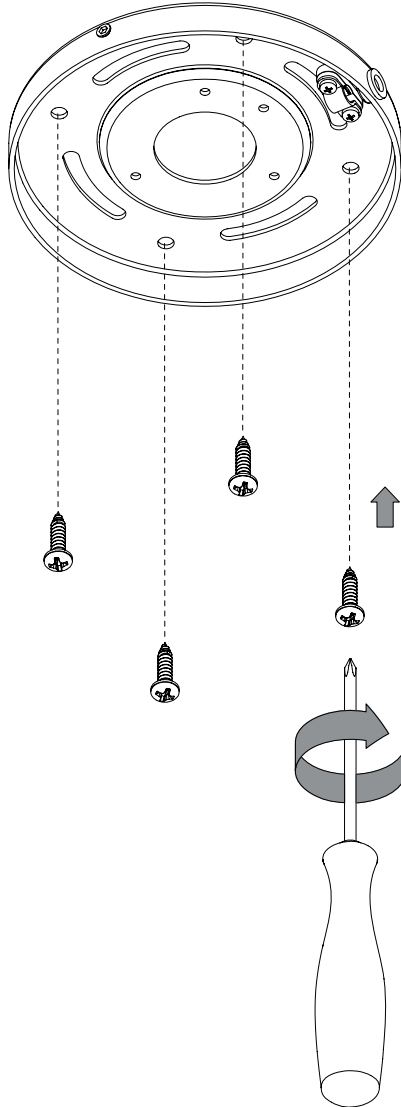
2.

Drill the holes and insert the wall plugs. Ensure you use the correct type of drill and wall plug/anchor for the material you are drilling into.



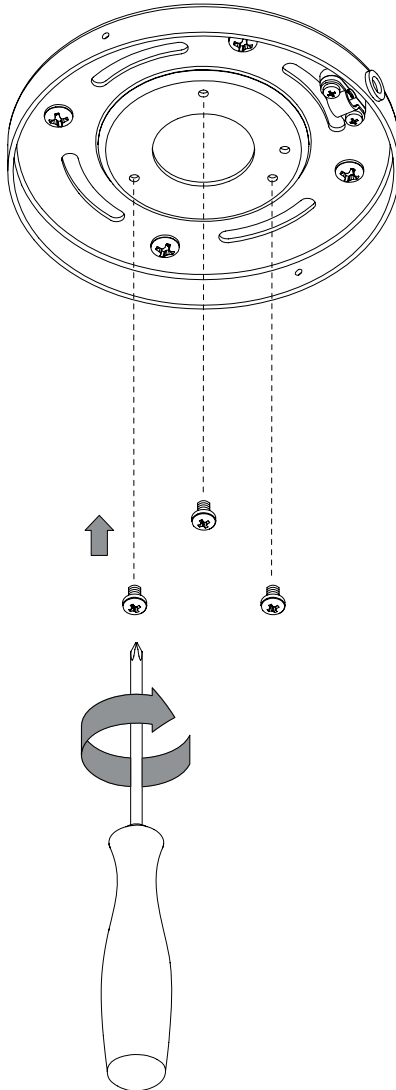
3.

Fix the ceiling bracket onto the ceiling using the four provided M5 screws.



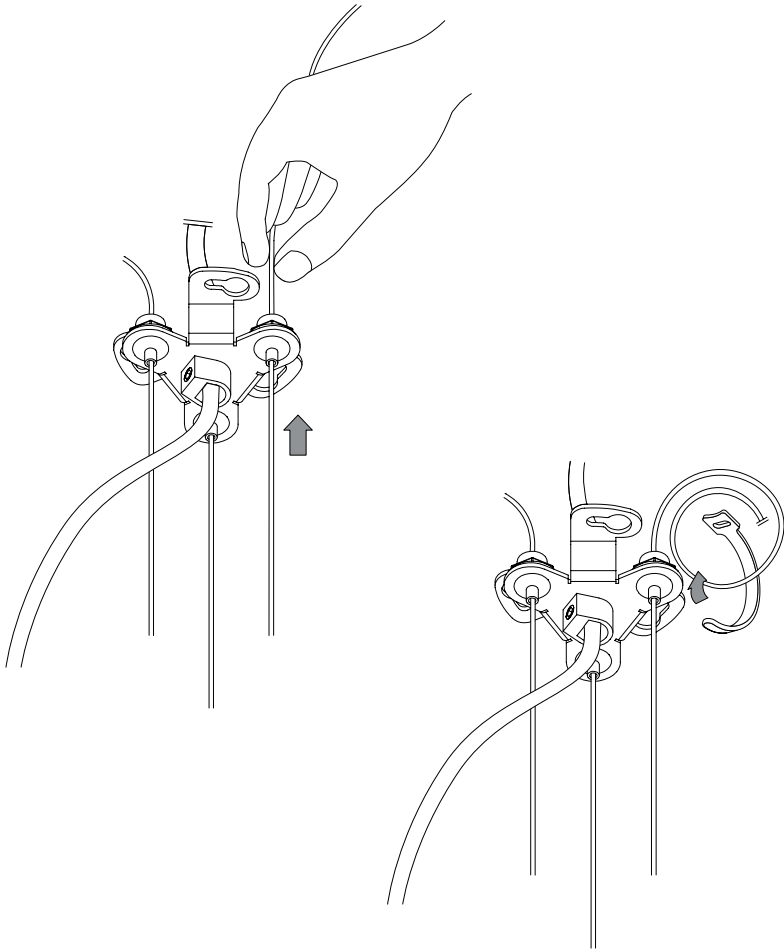
4.

Screw the three M4 screws into the ceiling bracket. Leave a 2 mm gap between the bottom of the screw head and the bracket so you can connect the height adjustment bracket (step 10).



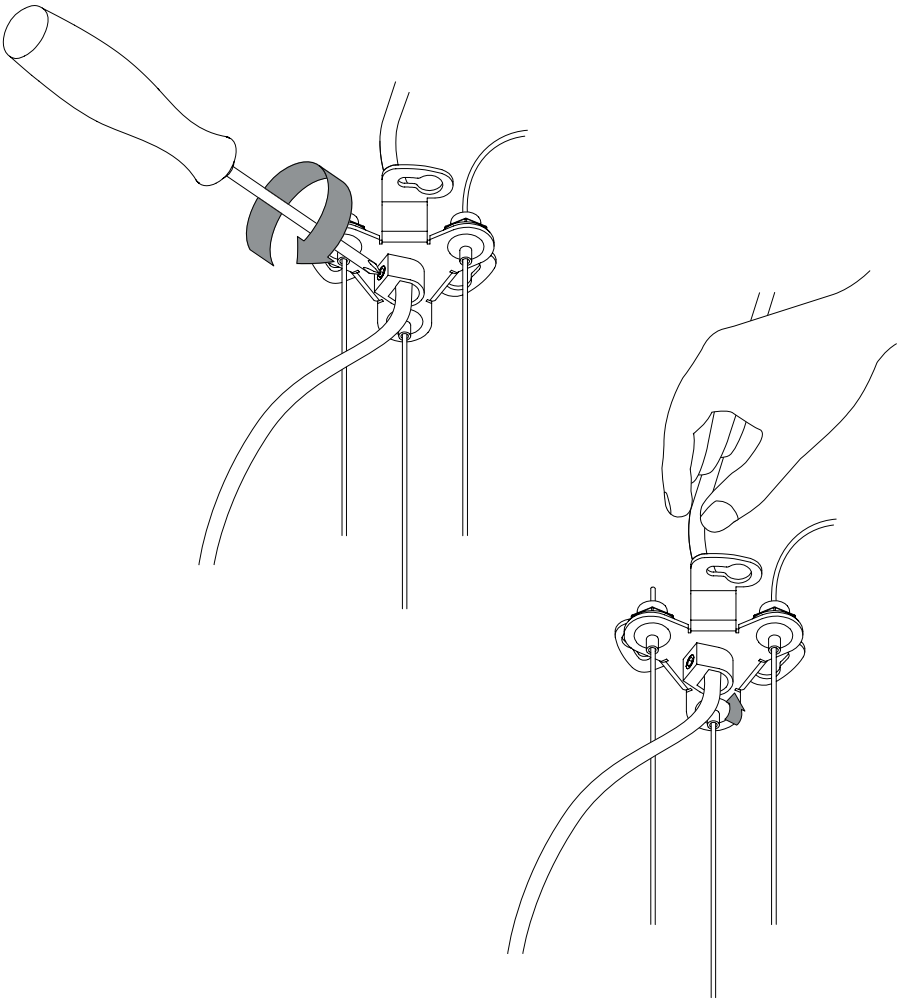
5.

Before connecting the height adjustment bracket to the ceiling bracket, pull the wires through to your required lamp length. Use the Velcro cable ties to tighten the accessed wire together or simply just cut off the accessed wire.



6.

Unscrew the cord grip screw before pulling the cable through to make it the same length as the wires in order to level the lamp. Tighten the screw after adjusting the cable length.



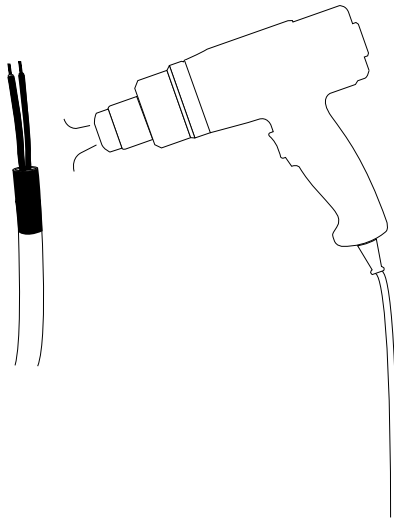
7.

If any wires are exposed with just a single basic layer of insulation, we advise you to cover them with the protective heat shrink provided. (Two sleeves for the basic insulated wire and one sleeve for covering the opening of the pendant cable).

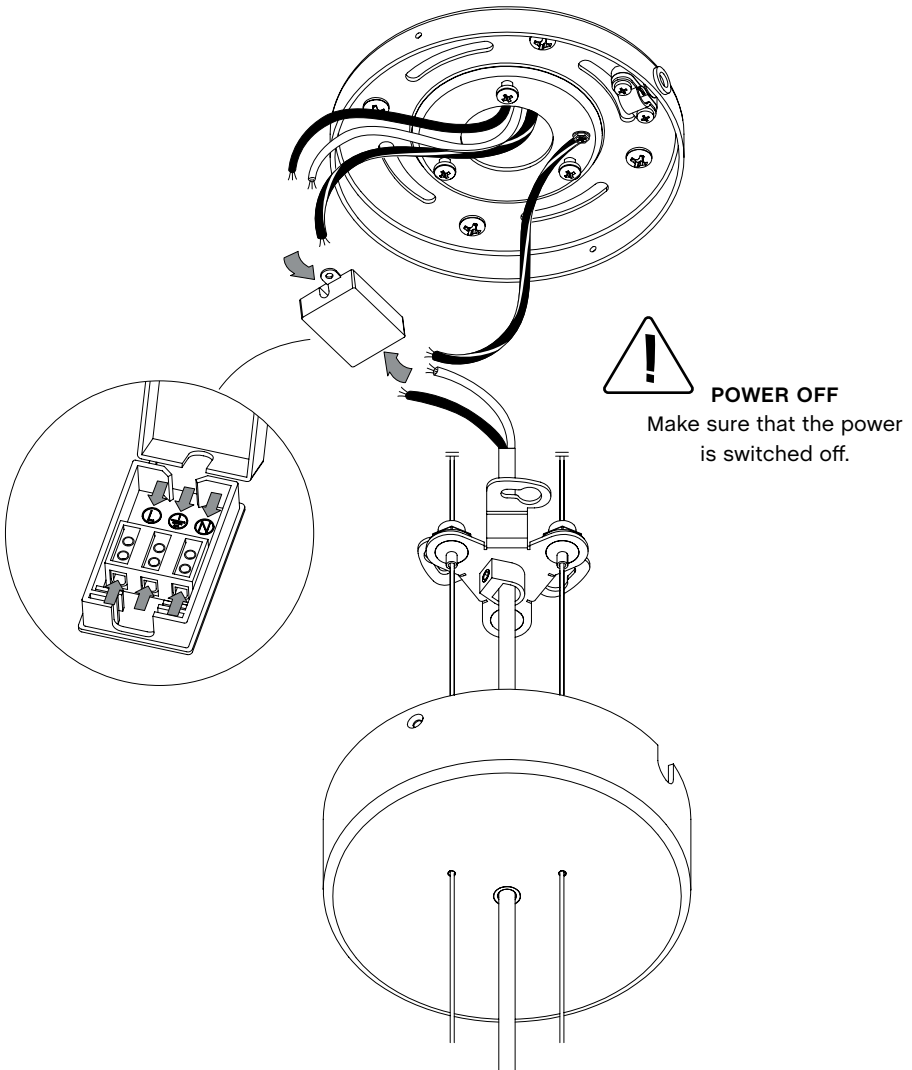


8.

A heat gun can be used to shrink and fix this protective insulation in place, as shown below.



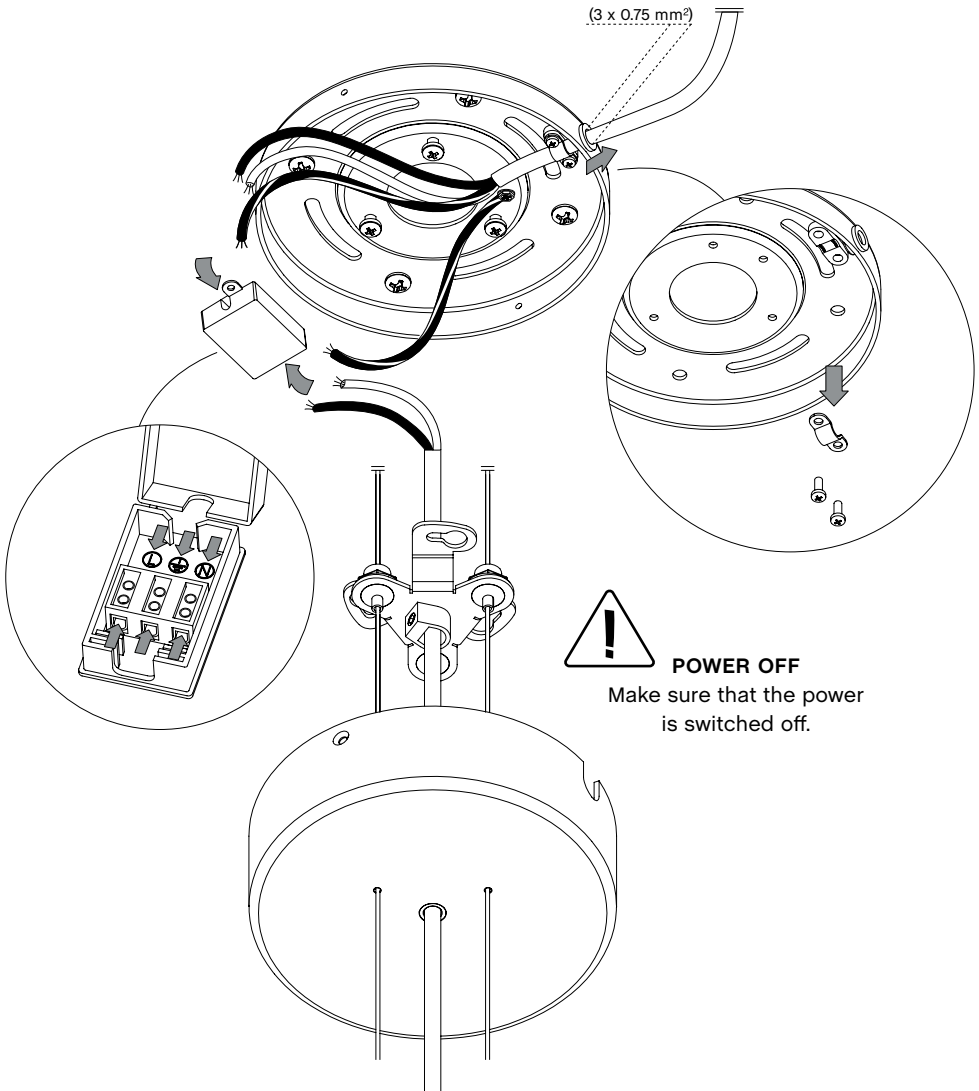
Option 1: Use a pencil to mark fixing holes on either side of the cable exit hole in the ceiling. If you have an existing junction box or crossbar in the ceiling, you can skip the next step. If you do not have an existing junction box, then connect the cables by using the accompanying terminal block. The Ground connection is only to be used for connecting the source ground connection. Both Live (L) and Neutral (N) are clearly marked inside the terminal block. Connect wire L to L, N to N and Ground to Ground by using the terminal block.



10.

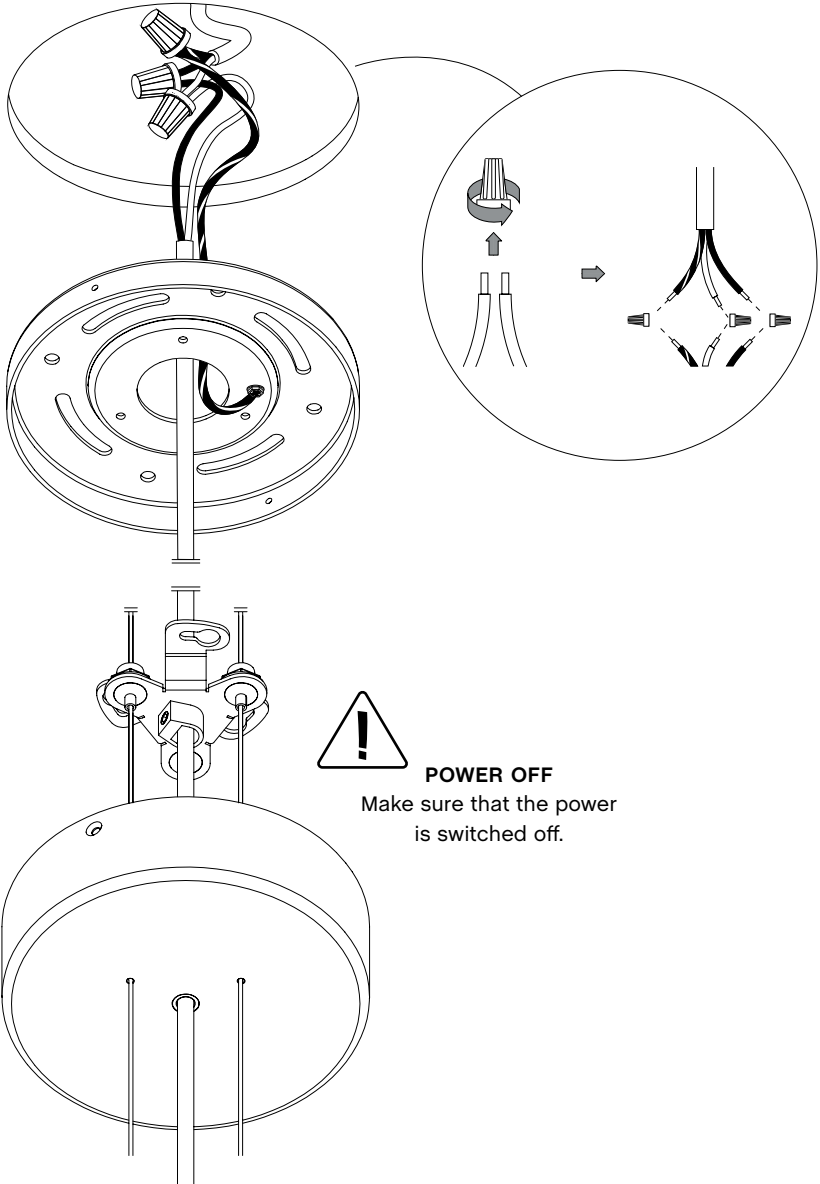
Option 2: Use a pencil to mark fixing holes on either side of the cable exit hole in the ceiling. Connect the cables by using the accompanying terminal block.

The Ground connection is only to be used for connecting the source ground connection. Both Live (L) and Neutral (N) are clearly marked inside the terminal block. Connect wire L to L, N to N and Ground to Ground by using the terminal block. Unscrew the cable restraint and pull the cable through the mousehole on the side of the canopy and connect the cable to the lamp socket. Tighten the cable restraint again.



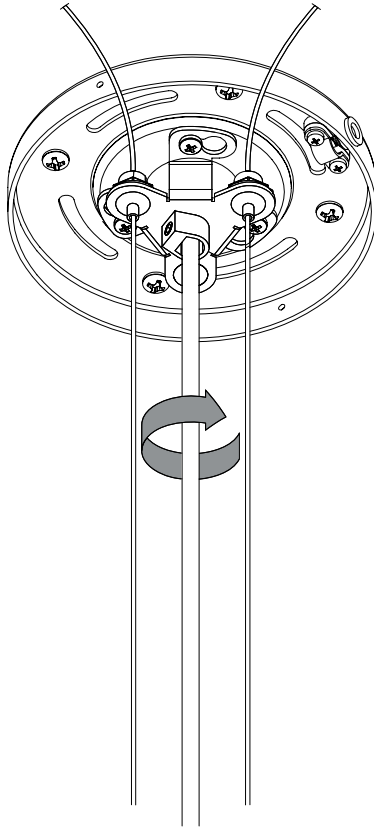
11.

For US customers only: Remove the twist-on wire connectors to disconnect the cable from the wires. Make the electrical connections between the main power line and the lamphouse with the twist-on wire connectors and gently tuck the wires into the box. Connect black to black / white to white / Ground to Ground. Attach the mounting plate onto the box, and select the proper screws for the type of junction box. Continue from step 3 and skip steps 9 and 10.



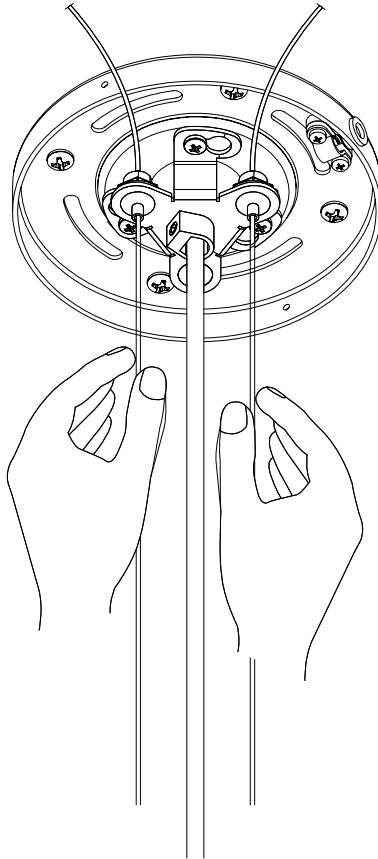
12.

Connect the height adjustment bracket to the ceiling bracket by twisting it onto the M4 screws. Once twisted on, tighten the screws.



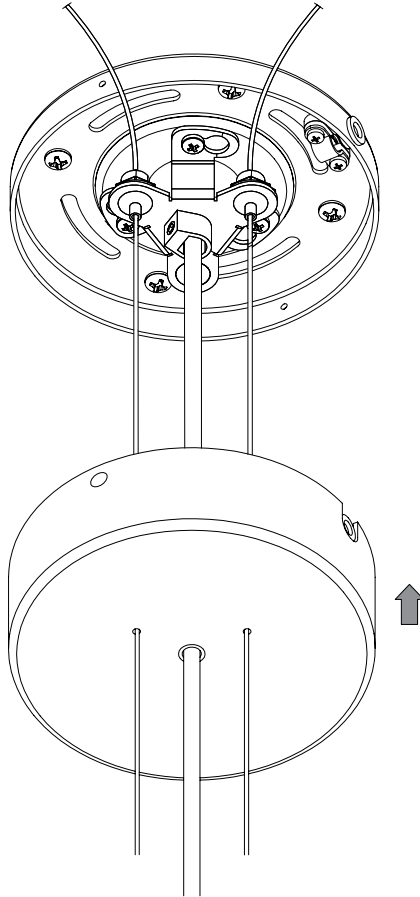
13.

Once the lamp is hanging from the ceiling, do the final leveling by gently pushing the three wires upwards until the lamp is level.



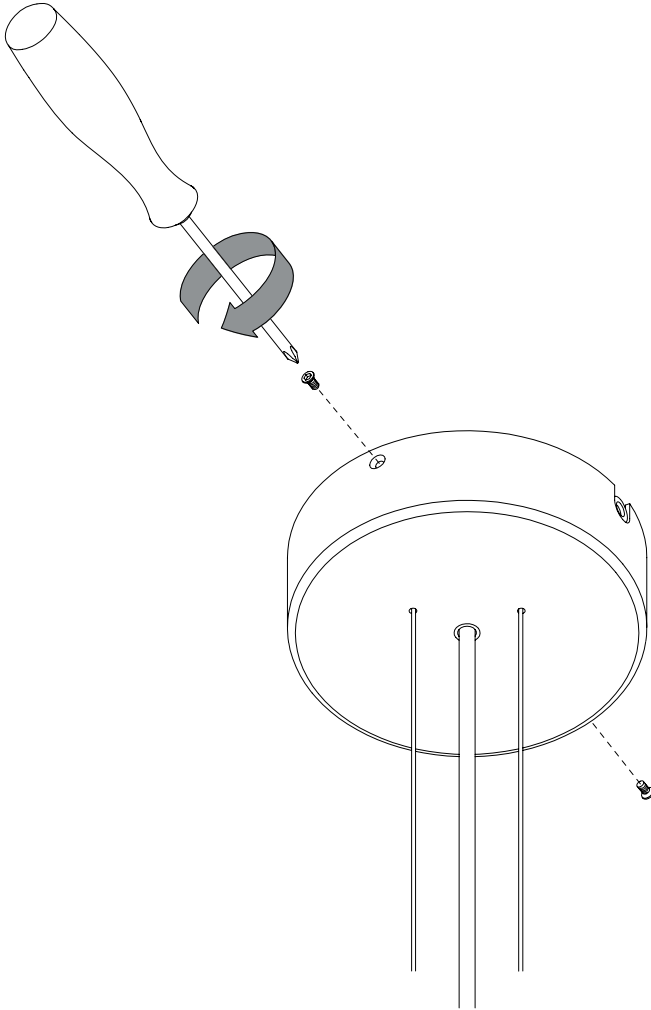
14.

Push the canopy up along the cord.



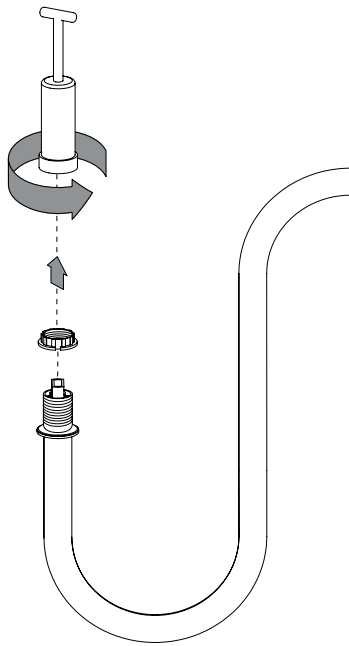
15.

Connect it to the ceiling bracket with the two M3 screws.



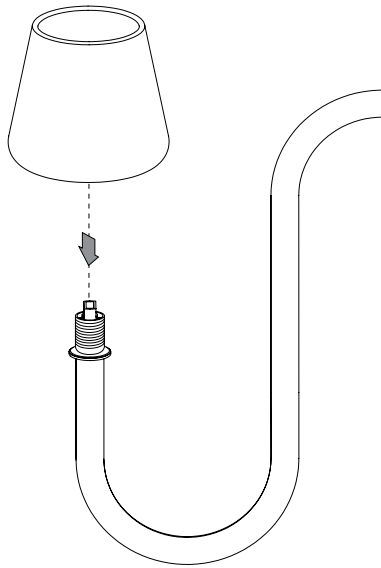
16.

Unscrew the shade rings by using the provided shade ring tool.



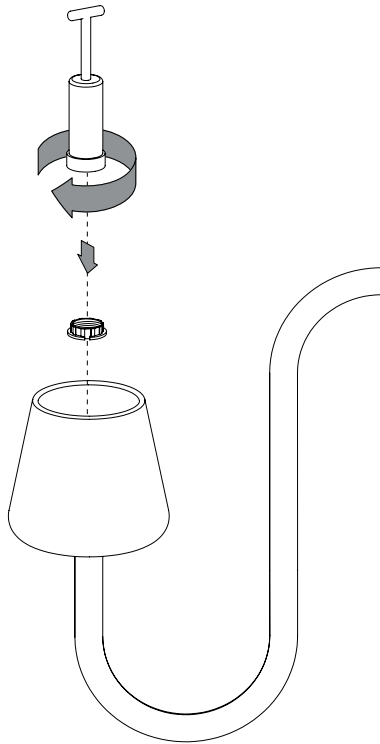
17.

Place the glass shades onto the arms.



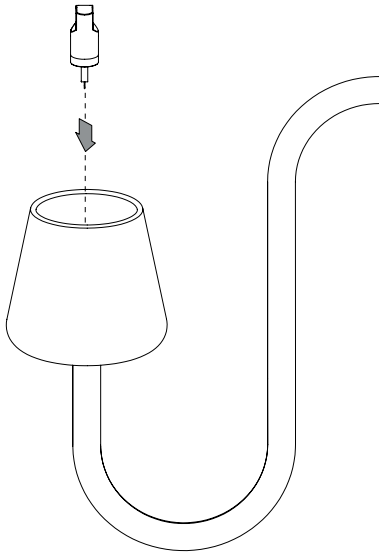
18.

Lock the shades in place with the shade rings.
Use the provided shade ring tool for easier assembly.



19.

Place the G9 bulbs into the bulb fittings.



- CARE & MAINTENANCE -

Our Care & Maintenance offers guidance for optimal maintenance of your HAY product. It includes advice and instructions on cleaning and caring for specific materials to prolong the life of your lighting.



Please find our Care & Maintenance guide by scanning the QR code



You can find more relevant information on Apollo Chandelier by scanning the QR code

You can also find the same information here
hay.dk/downloads

Havnen 3 8700 Horsens Denmark
+45 3164 6000 / hay@hay.com

www.hay.com

22/03/2023

HAY