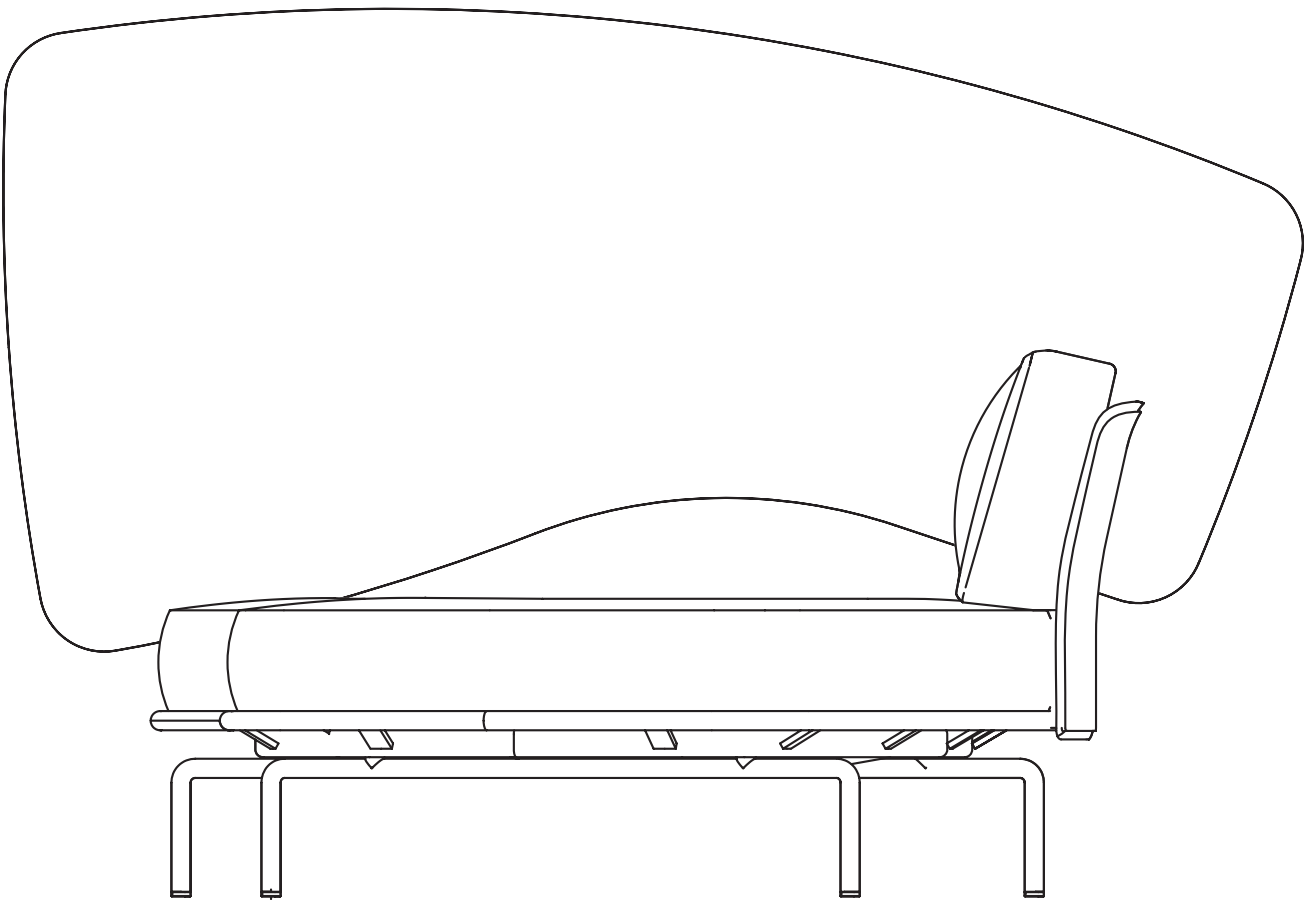


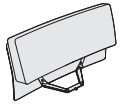
# Panoramic



# Panoramic Sofa

## Backrest Positions and Examples of Configurations

### Backrest / Dimensions and Positions



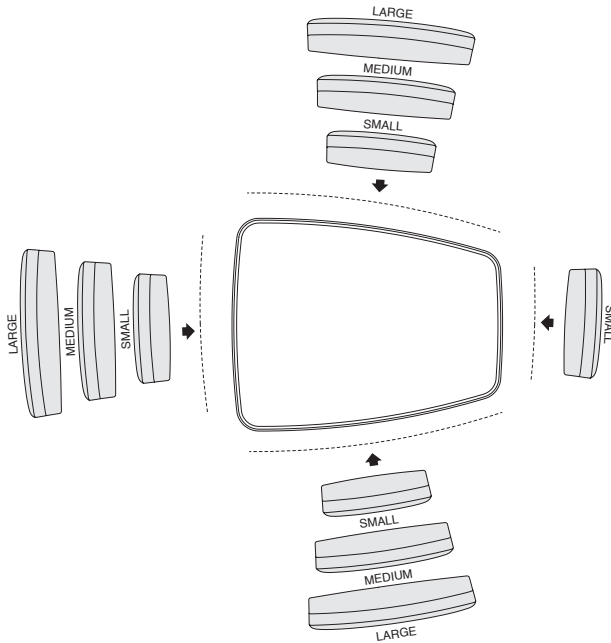
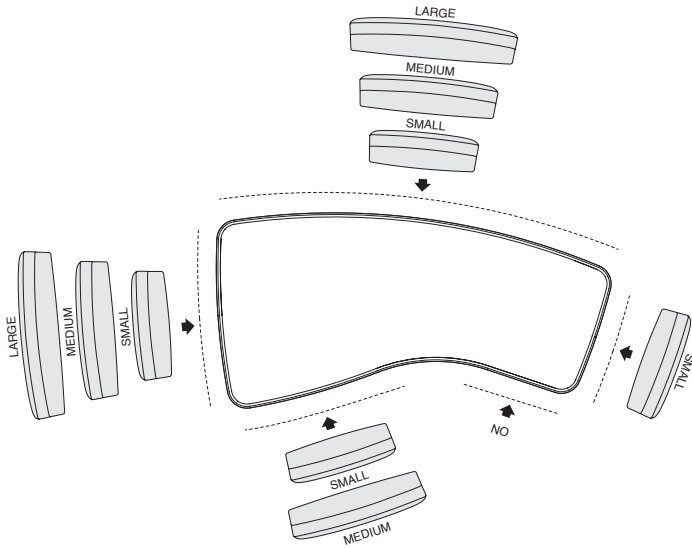
LARGE  
L 1000 X H 440 mm



MEDIUM  
L 820 X H 440 mm



SMALL  
L 650 X H 440 mm



### Configuration Examples

