

Mr. Square
Task/Work Chair
Design: Peter Horn, 2007

seat dimensions: 420 x 420 mm
height adjustment: approx. 420 to 570 mm

star base and frame: cast aluminium, polished
seat and backrest: beech plywood

white RAL 9010 or black RAL 9005

castors with grey tread for hard floors
optionally with braked castors



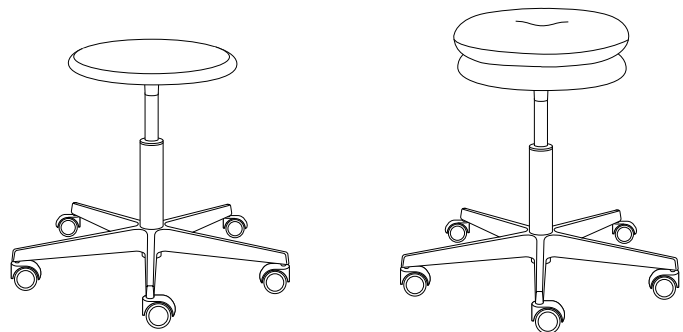
Mr. Round
Swivel Stool
Design: Alexander Seifried, 2015

seat dimensions: oak ø 350 mm, padded 370 mm
height adjustment: approx. 400 to 560 mm

star base: cast aluminium, polished
white RAL 9010 or black RAL 9005

seat: solid natural oak, silk-matt
or black open pore finish
or: padded (see below)

castors with grey tread for hard floors
optionally with braked castors



Mr. Square	white: star base, seat and backrest white; all other components black	x
	black: monochrome black with double-upholstered seat 'Salt + Pepper'	x
Mr. Round	seat: black or natural oak; star base: white; all other components black or all metal components: monochrome black	x
Mr. Round 2-layer padded seat	fabric 1 padded seat; covers: 'Salt + Pepper'	x
	fabric 2 padded seat; covers: Rohi 'Sera' Lampert Collection pepper, marmo, mare, verde, mirage, arancio; 94% WO, 6% PA	x
	fabric 3 padded seat; covers: Lampert leather collection, Tom range of fabrics or Kvadrat 'Hallingdal'	x
	star base: white or black (see above)	