

# Daphinette

design Tommaso Cimini, 1975

release 2019, December

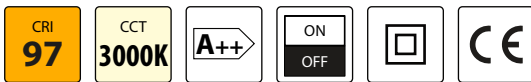


Table lamp made of steel and aluminium with an adjustable, pivoting arm. The head can rotate 360°. The light Source is a 5W LED, controlled by an ON/OFF switch.

## Finishing

### Standard

● Black soft touch  
cod. 09L01ST00

○ Matt white  
cod. 09L02OP00

● Brushed nickel  
cod. 09L4400

### Special

● Matt red  
cod. 09L03OP00

● Matt yellow  
cod. 09L05OP00

● Metallic bronze  
cod. 09L29MT00

All RAL coating and galvanic finishes available upon request

## Light emission

- Light emission: diffuse
- Light direction: downlight
- Light source: led board
- Source flux: 530 lm
- Emitted flux: 426 lm
- Efficacy: 77 lm/W
- CCT: 3000K
- CRI index: 97
- Lifetime: >55000h L80 @ 25°C

## Electrical Facts

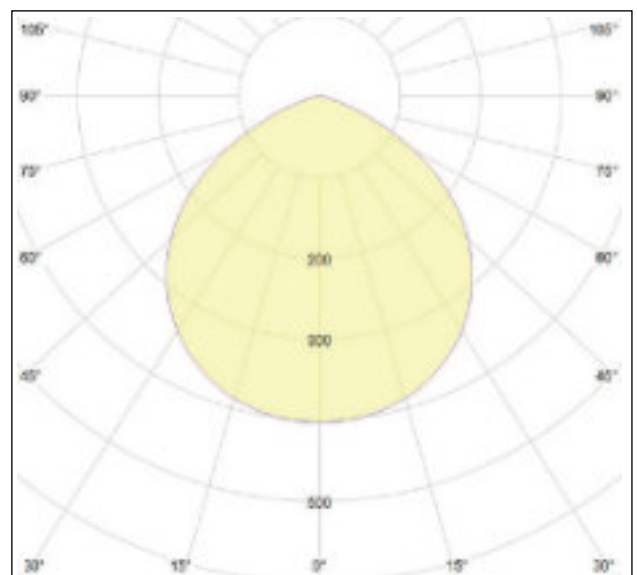
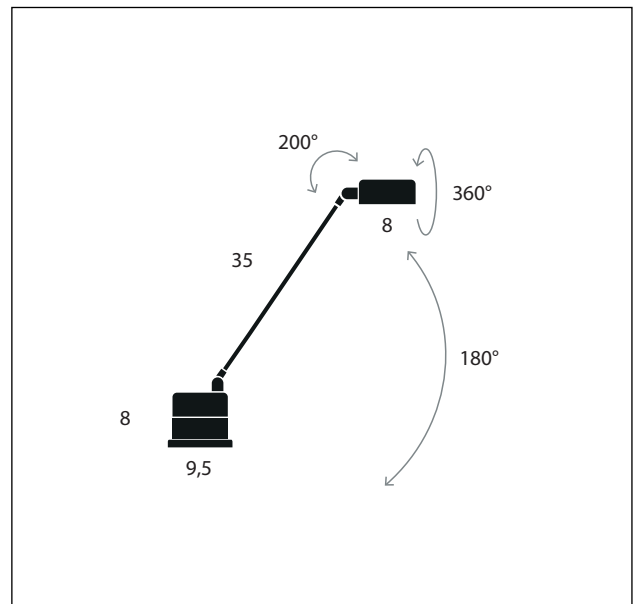
- Source power: 5W
- Power absorption: 5,5W
- Stand-by absorption: < 0,3 W
- Grid voltage: 100-240V AC/50-60 Hz
- Power supply: internal AC-DC converter provided
- Dimmability: not dimmable
- Energy class: A++

## Technical data

- Environment: indoor
- Placement: table
- Net weight: 1,5 Kg
- Certifications: CE
- Suggested ambient T: 25°C
- Maximum ambient T: 40°C
- Insulation class: II
- Protection class: IP20

Packaging  
cardboard box  
44 x 17 x 11 (cm)  
0,008 m<sup>3</sup>

Gross weight  
1,8 Kg



# Daphinette

design Tommaso Cimini, 1975

release 2019, December



Table lamp made of steel and aluminium with an adjustable, pivoting arm. The head can rotate 360°. The light Source is a 5W LED, controlled by an ON/OFF switch.

## Finishing

### Standard

● Black soft touch  
cod. 09L01STK27

○ Matt white  
cod. 09L02OPK27

● Brushed nickel  
cod. 09L44K27

### Special

● Matt red  
cod. 09L03OPK27

● Matt yellow  
cod. 09L05OPK27

● Metallic bronze  
cod. 09L29MTK27

All RAL coating and galvanic finishes available upon request

## Light emission

- Light emission: diffuse
- Light direction: downlight
- Light source: led board
- Source flux: 513 lm
- Emitted flux: 410 lm
- Efficacy: 74,5 lm/W
- CCT: 2700K
- CRI index: 97
- Lifetime: >55000h L80 @ 25°C

## Electrical Facts

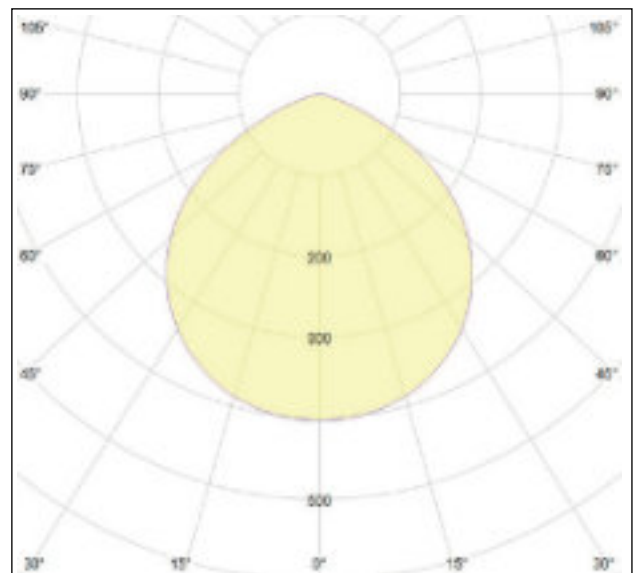
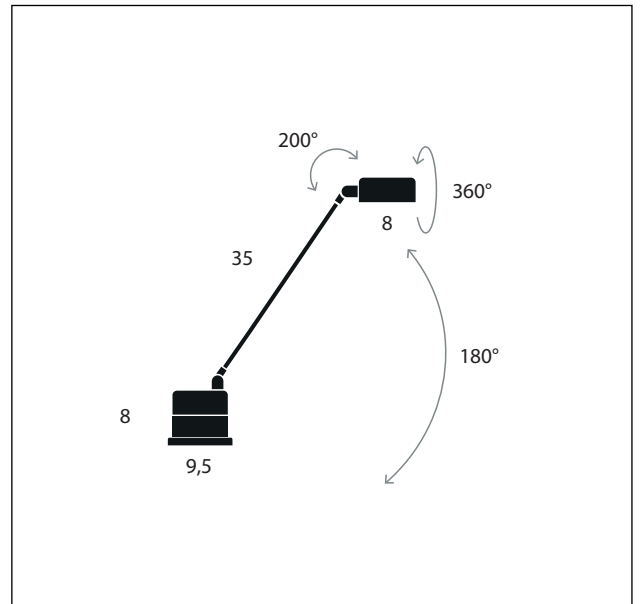
- Source power: 5W
- Power absorption: 5,5W
- Stand-by absorption: < 0,3 W
- Grid voltage: 100-240V AC/50-60 Hz
- Power supply: internal AC-DC converter provided
- Dimmability: not dimmable
- Energy class: A++

## Technical data

- Environment: indoor
- Placement: table
- Net weight: 1,5 Kg
- Certifications: CE
- Suggested ambient T: 25°C
- Maximum ambient T: 40°C
- Insulation class: II
- Protection class: IP20

Packaging  
cardboard box  
44 x 17 x 11 (cm)  
0,008 m<sup>3</sup>

Gross weight  
1,8 Kg



# Daphinette

design Tommaso Cimini, 1975

release 2019, December

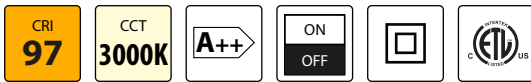


Table lamp made of steel and aluminium with an adjustable, pivoting arm. The head can rotate 360°. The light Source is a 5W LED, controlled by an ON/OFF switch.

## Finishing

### Standard

-  Black soft touch  
cod. 09L01ST00ETL
-  Matt white  
cod. 09L02OP00ETL
-  Brushed nickel  
cod. 09L4400ETL

### Special

-  Matt red  
cod. 09L03OP00ETL
-  Matt yellow  
cod. 09L05OP00ETL
-  Metallic bronze  
cod. 09L29MT00ETL

All RAL coating and galvanic finishes available upon request

## Light emission

- Light emission: diffuse
- Light direction: downlight
- Light source: led board
- Source flux: 530 lm
- Emitted flux: 426 lm
- Efficacy: 77 lm/W
- CCT: 3000K
- CRI index: 97
- Lifetime: >55000h L80 @ 25°C

## Electrical Facts

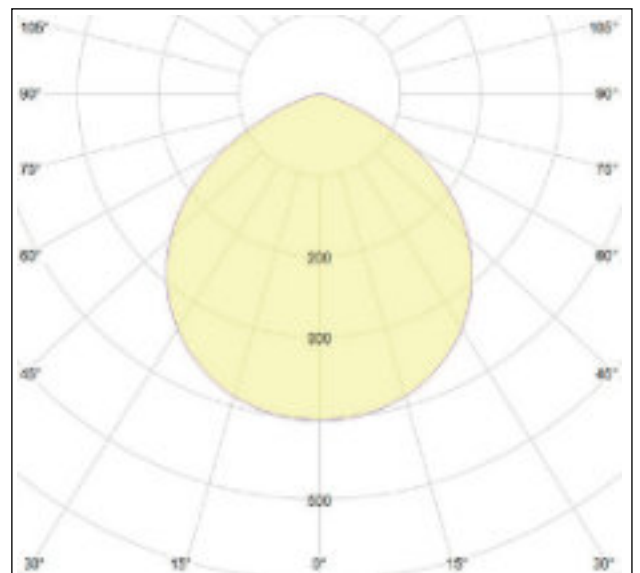
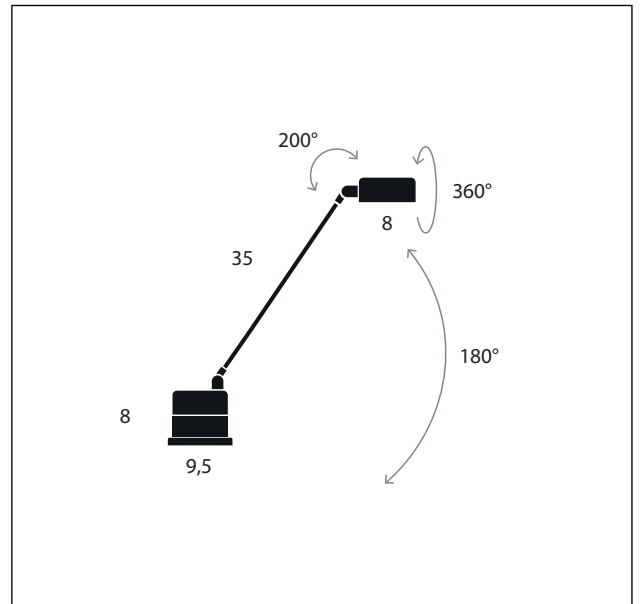
- Source power: 5W
- Power absorption: 5,5W
- Stand-by absorption: < 0,3 W
- Grid voltage: 100-240V AC/50-60 Hz
- Power supply: internal AC-DC converter provided
- Dimmability: not dimmable
- Energy class: A++

## Technical data

- Environment: indoor
- Placement: table
- Net weight: 1,5 Kg
- Certifications: ETL
- Suggested ambient T: 25°C
- Maximum ambient T: 40°C
- Insulation class: II
- Protection class: IP20

Packaging  
cardboard box  
44 x 17 x 11 (cm)  
0,008 m<sup>3</sup>

Gross weight  
1,8 Kg



# Daphinette

design Tommaso Cimini, 1975

release 2019, December



Table lamp made of steel and aluminium with an adjustable, pivoting arm. The head can rotate 360°. The light Source is a 5W LED, controlled by an ON/OFF switch.

## Finishing

### Standard

● Black soft touch  
cod. 09L01STK27ETL

○ Matt white  
cod. 09L02OPK27ETL

● Brushed nickel  
cod. 09L44K27ETL

### Special

● Matt red  
cod. 09L03OPK27ETL

● Matt yellow  
cod. 09L05OPK27ETL

● Metallic bronze  
cod. 09L29MTK27ETL

All RAL coating and galvanic finishes available upon request

## Light emission

- Light emission: diffuse
- Light direction: downlight
- Light source: led board
- Source flux: 513 lm
- Emitted flux: 410 lm
- Efficacy: 74,5 lm/W
- CCT: 2700K
- CRI index: 97
- Lifetime: >55000h L80 @ 25°C

## Electrical Facts

- Source power: 5W
- Power absorption: 5,5W
- Stand-by absorption: < 0,3 W
- Grid voltage: 100-240V AC/50-60 Hz
- Power supply: internal AC-DC converter provided
- Dimmability: not dimmable
- Energy class: A++

## Technical data

- Environment: indoor
- Placement: table
- Net weight: 1,5 Kg
- Certifications: ETL
- Suggested ambient T: 25°C
- Maximum ambient T: 40°C
- Insulation class: II
- Protection class: IP20

Packaging  
cardboard box  
44 x 17 x 11 (cm)  
0,008 m<sup>3</sup>

Gross weight  
1,8 Kg

