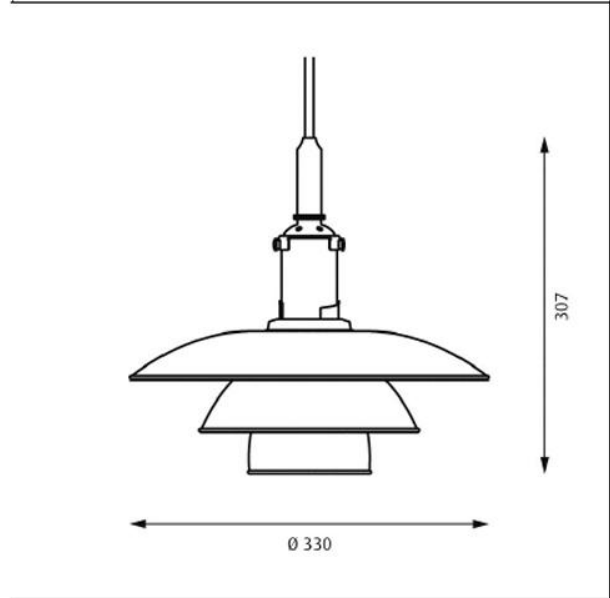


PH 3½-3 Pendant



Design Poul Henningsen

Concept The fixture is 100% glare-free, with a design based on the principle of a reflective three-shade system, which directs most of the light downwards. The shades are made of deepdrawn aluminium with white inner surface that ensures gentle, downward light distribution. The downward light is both soft and pleasant.

Finish Red, green, yellow and white, powder coated

Material Shade: deepdrawn aluminium, suspension: silk mat brown, copper.

Mounting Suspension type: Cable 2x0,75mm². Canopy: Yes. Cable length: 3m.

Weight Max. 1,3 kg.

Class Ingress protection IP20. Electric shock protection Cl. II.

Product Code	Light source	Finish	Cable type
PH3½3-P	1x100W E27	GREEN RED WHT YELLOW	WHT TEX

Specification notes

The innovation of light sources is ongoing. Consequently we only inform about the max. wattages. On www.louis Poulsen.com we update a list of recommendable light sources.