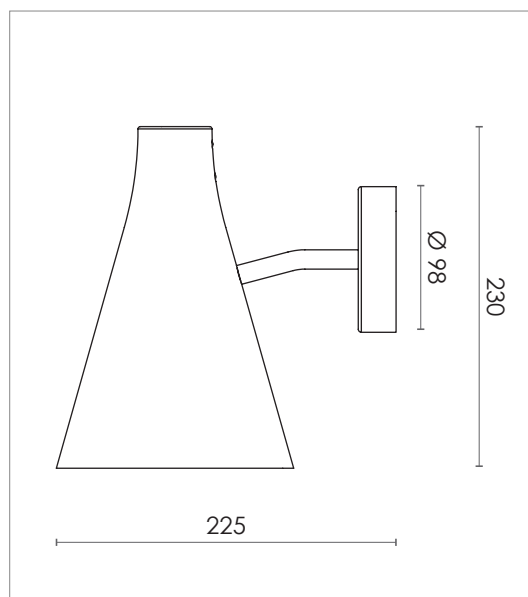


HUNTER WALL OUTDOOR

DESIGN SPECIFICATIONS

DIMENSIONS (mm)	H 230 x D 225 - SHADE Ø 170
WEIGHT (kg)	1,1
MATERIALS	THE LAMP IS MADE FROM POLISHED UNTREATED COPPER.
CORD (mm)	NO
ENVIRONMENT	INDOOR / OUTDOOR
DESIGN BY	NICLAS HOFLIN
DESIGN YEAR	2015



ELECTRICAL SPECIFICATIONS

SWITCH	NO
BULB HOLDER	E27
LIGHT SOURCE	INCLUDED 7 W LED - 2700 K
DIMMABLE	YES
MAX (W)	10 W LED
VOLTAGE	230 / 240
CLASS	1
IP	44

COLOURS



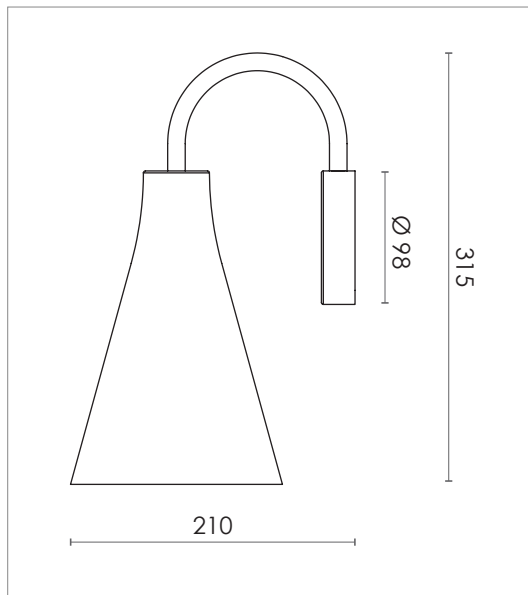
ART.NO. 800215035

Rubn

HUNTER WALL GOOSENECK OUTDOOR

DESIGN SPECIFICATIONS

DIMENSIONS (mm)	H 315 x W 210 - SHADE Ø 170
WEIGHT (kg)	1,2
MATERIALS	THE LAMP IS MADE FROM POLISHED AND UNTREATED COPPER.
CORD (mm)	NO
ENVIRONMENT	OUTDOOR / INDOOR
DESIGN BY	NICLAS HOFLIN
DESIGN YEAR	2015



ELECTRICAL SPECIFICATIONS

SWITCH	NO
BULB HOLDER	E27
LIGHT SOURCE	INCLUDED 7 W LED - 2700 K
DIMMABLE	YES
MAX (W)	10 W LED
VOLTAGE	230 / 240
CLASS	1
IP	44

COLOURS



COPPER

ART.NO. 800217035

Rubn